

Wizard Robe

Monday, October 10, 2011

Wizard Robe

Halloween is approaching fast, and it's my favorite holiday. Last year, due to a recent move and being sick, I didn't participate. This year I'm trying to make up for it. Alec is going to be Dumbledore, because it's the last year he will have his epic beard. I'm going to go as Hermione, so we compliment each other. I'm going to go as polyjuice mix up cat Hermione so it's extra fun.

When Alec and I went to the Wizarding World of Harry Potter last January, they had all the house robes, but they were over-priced and cheaply made. Instead I picked up an official Hogwarts crest patch so I could make my own custom robe.

I created the robe pattern by expanding a tent sloper to full length and adding bishop style sleeves and a hood. This is not a replica of the movie robes by any means. I didn't fully line this robe, it just has facing pieces to finish the opening. It is a generic Hogwarts robe, as it doesn't have any of the house colors for the lining. This way it can be any character's robe.

To make it, I was trying to use material I already had around the house. I didn't have the right kind of buttons in black, so I just found the right size in my button collection and

covered them in the same fabric as the robe. I used a lightweight woven cotton that I had found at a fabric re-use place in Portland. I would recommend a heavier weight synthetic that resists wrinkling if I was going to make it again. There are in seam pockets on the sides for wands and chocolate frogs.

If you would like to make a robe similar to the one I made, here is the rough pattern. Print this out and blow it up until it is the size of the measurements stated. This is a very roomy robe that could fit a large range of sizes.

Addition April 18, 2013

Here are the really rough instructions on how to put the pattern pieces together. If you've never sewn before this isn't enough information for you to put the robe together correctly, it's just a loose guide for people who've sewn from patterns before

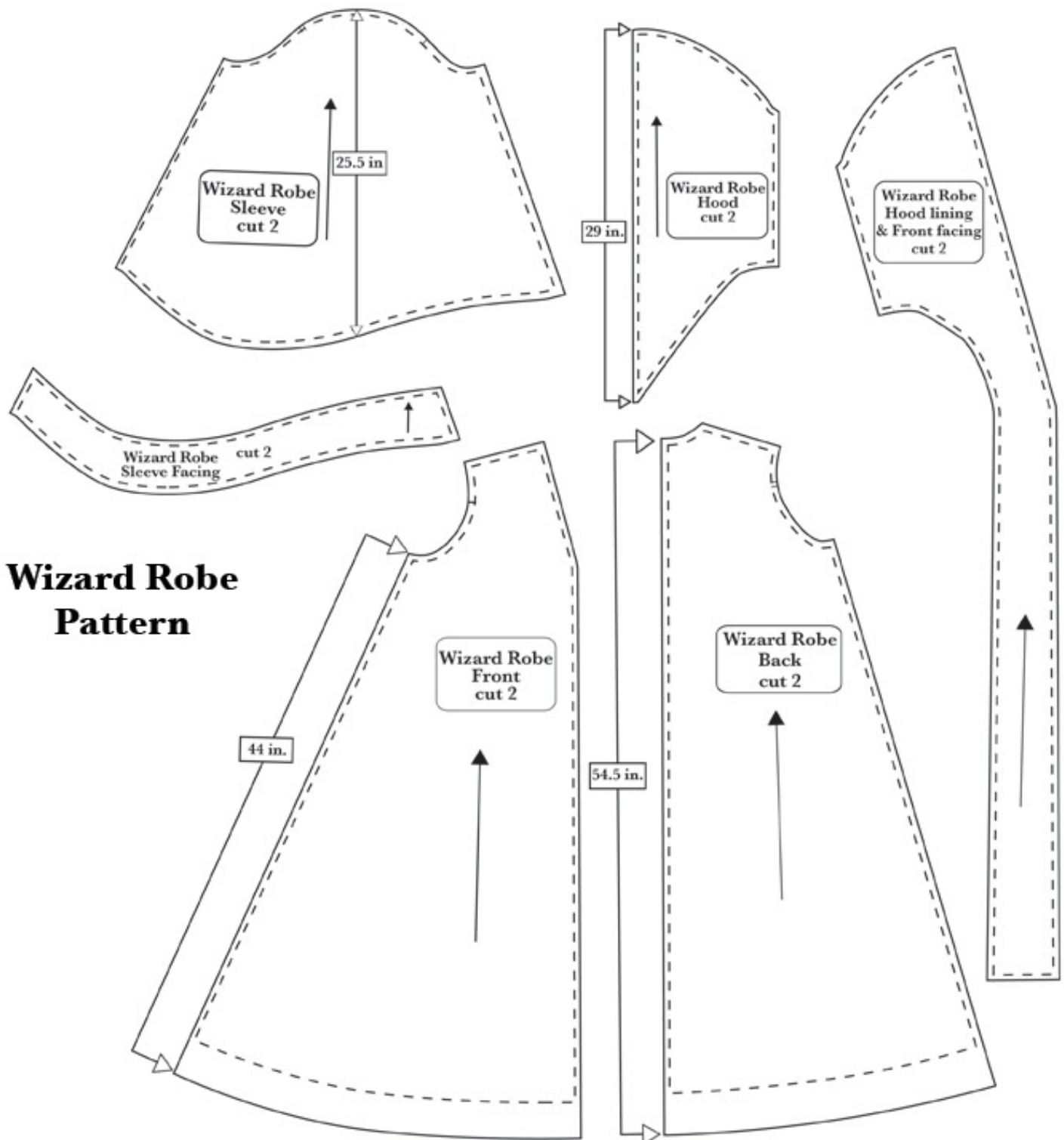
<https://www.claresanders.net/2011/10/wizard-robe.html>

Additions by

Steve Taylor

December 2024:

I wanted to make this robe, but could not figure out how to enlarge the pattern. Being a bit OCD, I've constructed a printout of 75 pages, that, when printed at 100% will allow you to tape together pages and make a full sized pattern. Use gray 5 inch x 5 inch squares to check and be sure you are printing at 100% of real size.

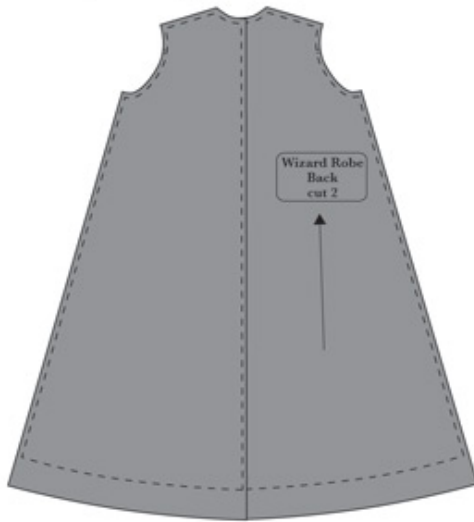


Wizard Robe Instructions

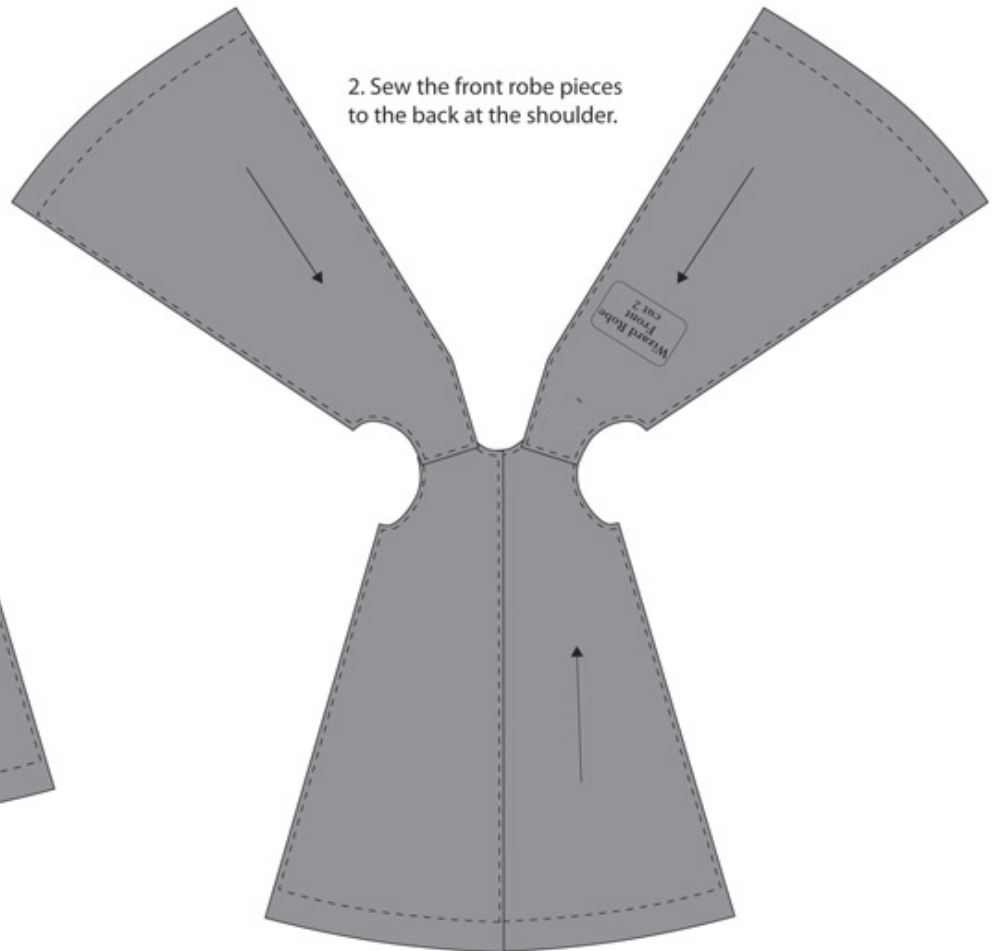
(rough and loose)

©2013 Claire Sanders

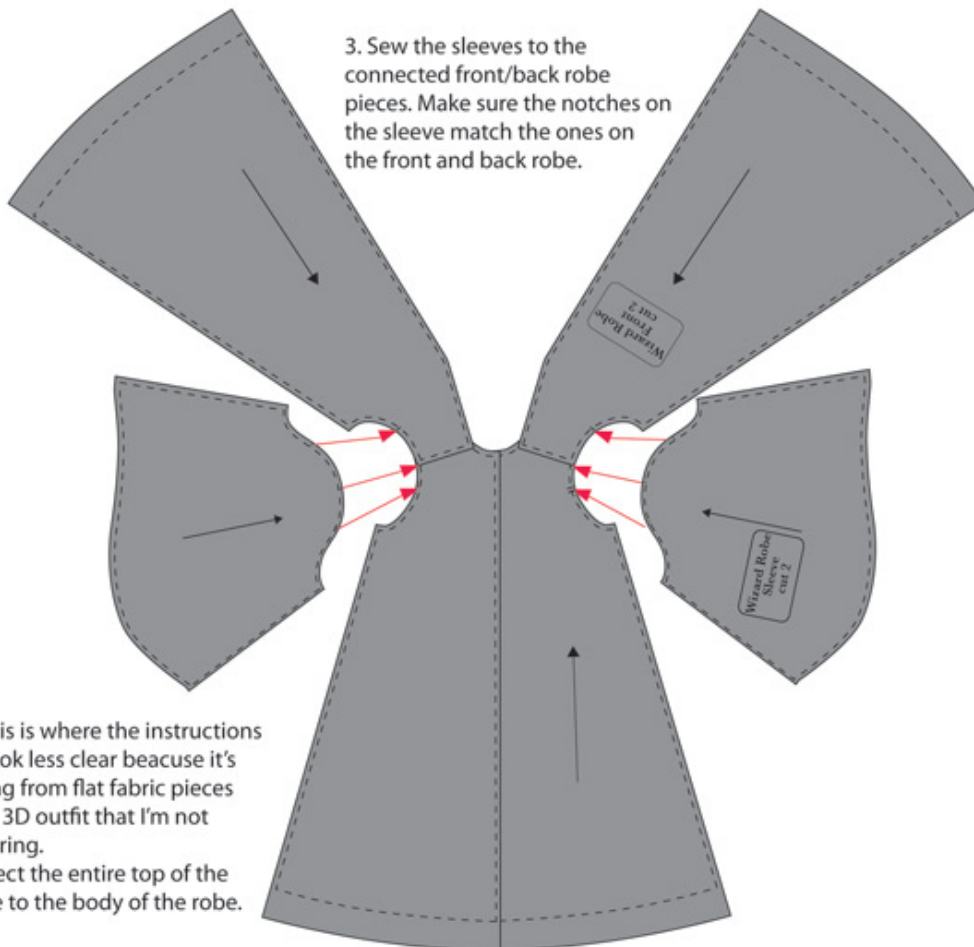
1. Sew the 2 back pieces together.



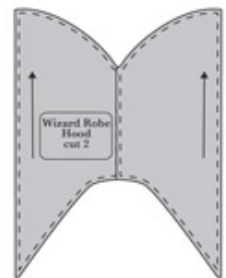
2. Sew the front robe pieces to the back at the shoulder.



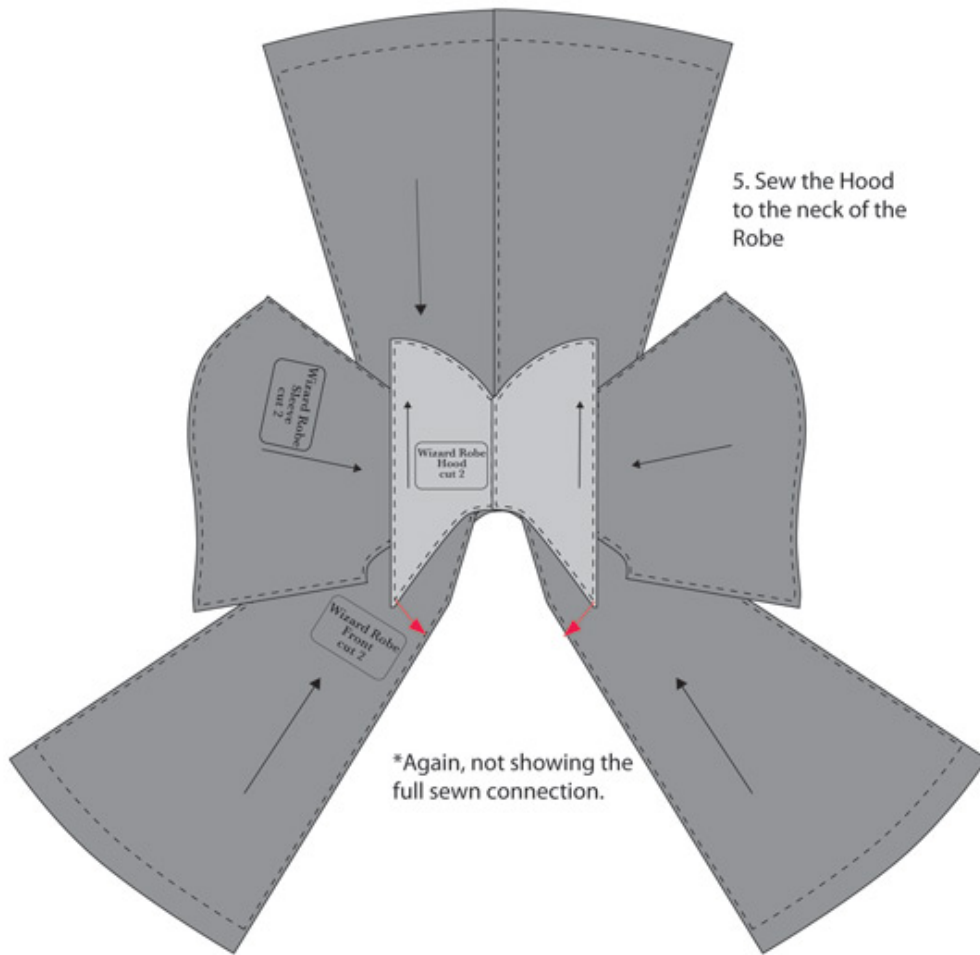
3. Sew the sleeves to the connected front/back robe pieces. Make sure the notches on the sleeve match the ones on the front and back robe.



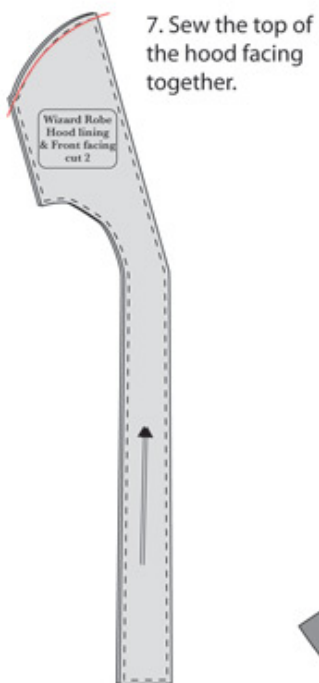
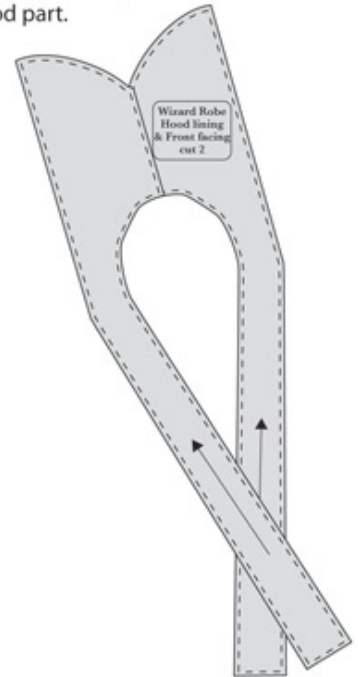
4. Sew the Hood pieces together



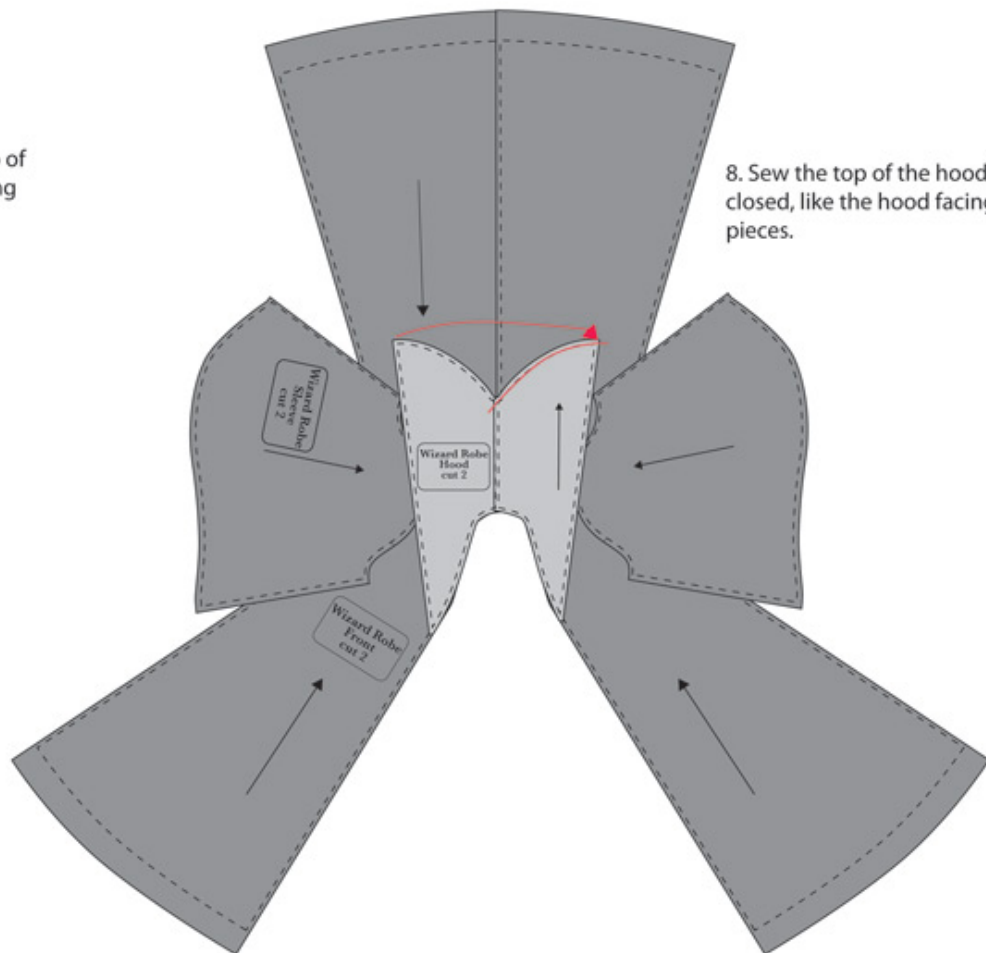
*** This is where the instructions will look less clear because it's turning from flat fabric pieces into a 3D outfit that I'm not rendering. Connect the entire top of the sleeve to the body of the robe.



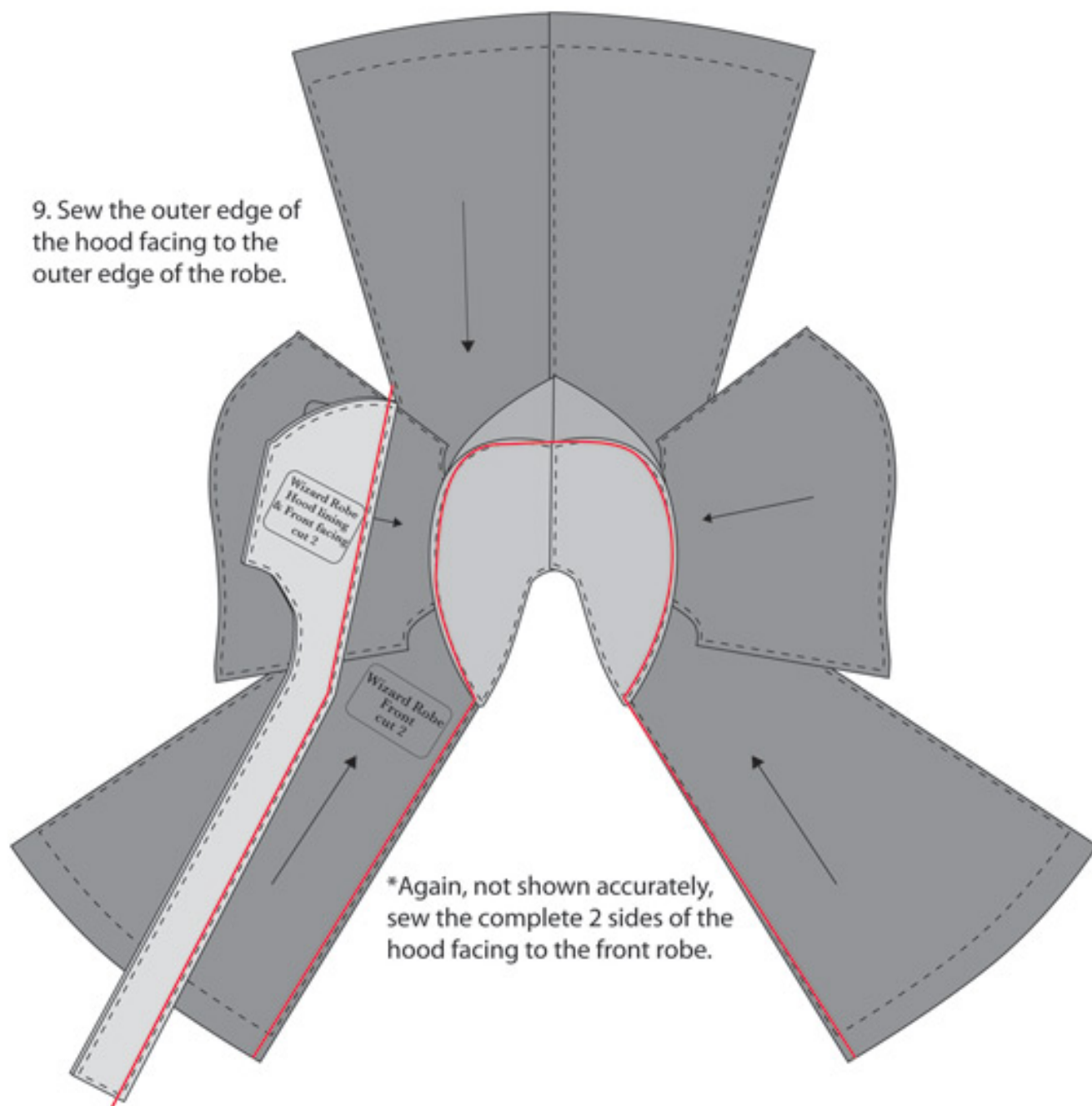
6. Sew the 2 robe/hood facing pieces together at the hood part.



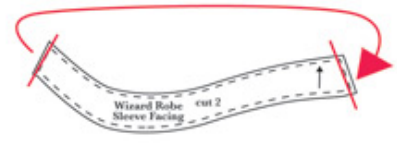
8. Sew the top of the hood closed, like the hood facing pieces.



9. Sew the outer edge of the hood facing to the outer edge of the robe.

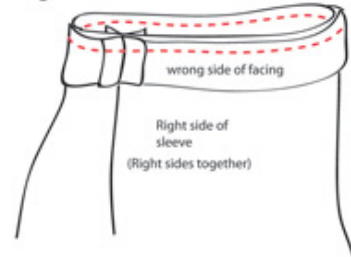


10. Sew front and back robe together at the side seams.
*Hood not shown.



11. Sew the 2 ends of the sleeve facing together.

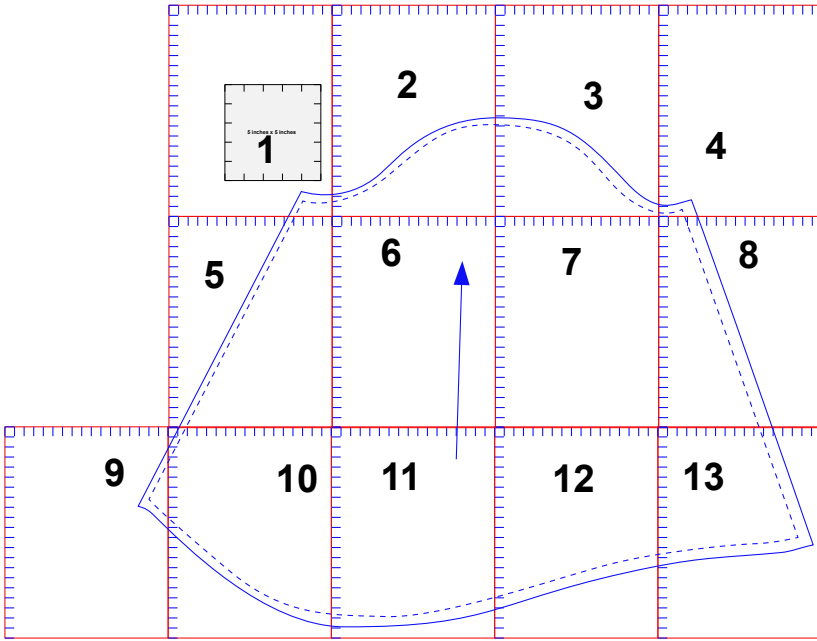
12. Sew the sleeve facing to the bottom of the sleeve, then turn so the seam is hidden. Fold and stitch the other side of the facing to the sleeve.



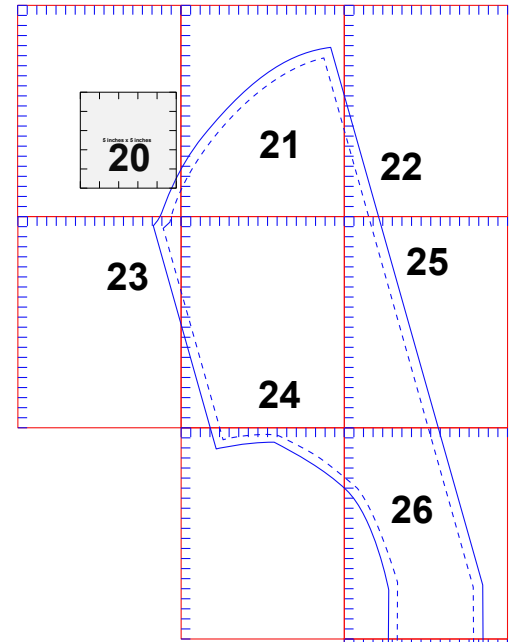
13. Push the hood facing into the hood and stitch it firmly to the fabric. (Not Shown)

14. Turn up the bottom of the robe and sew the hem. (Not shown)

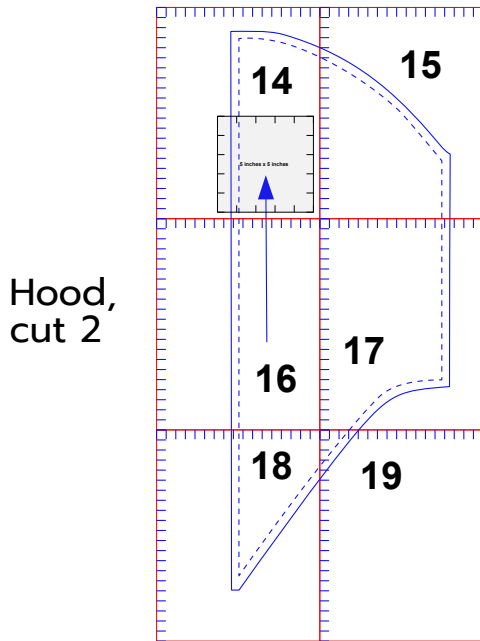
15. Add a button closure and any sort of patch you would like.



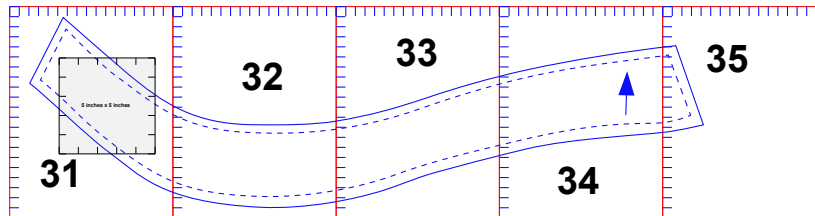
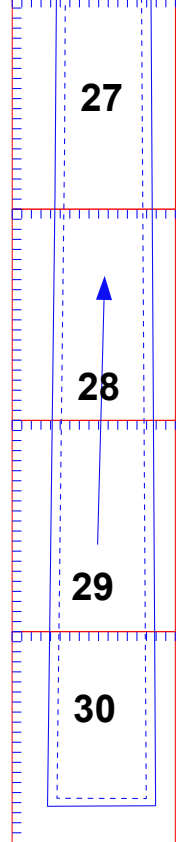
Sleeve,
cut 2



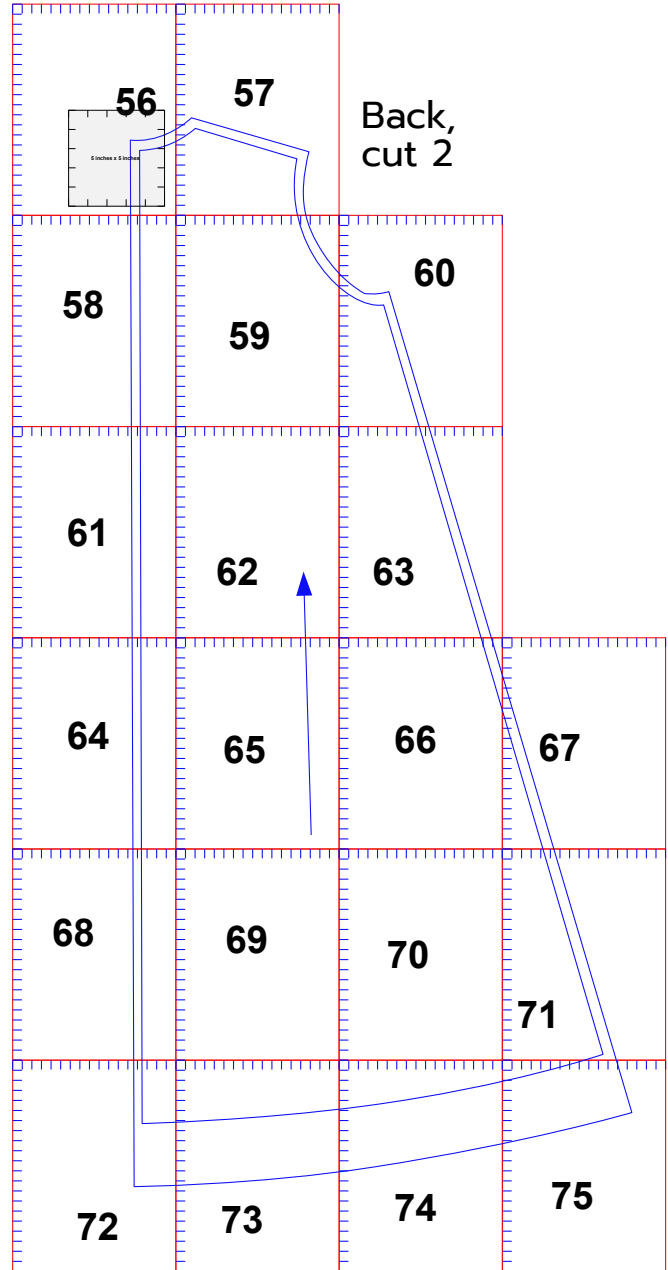
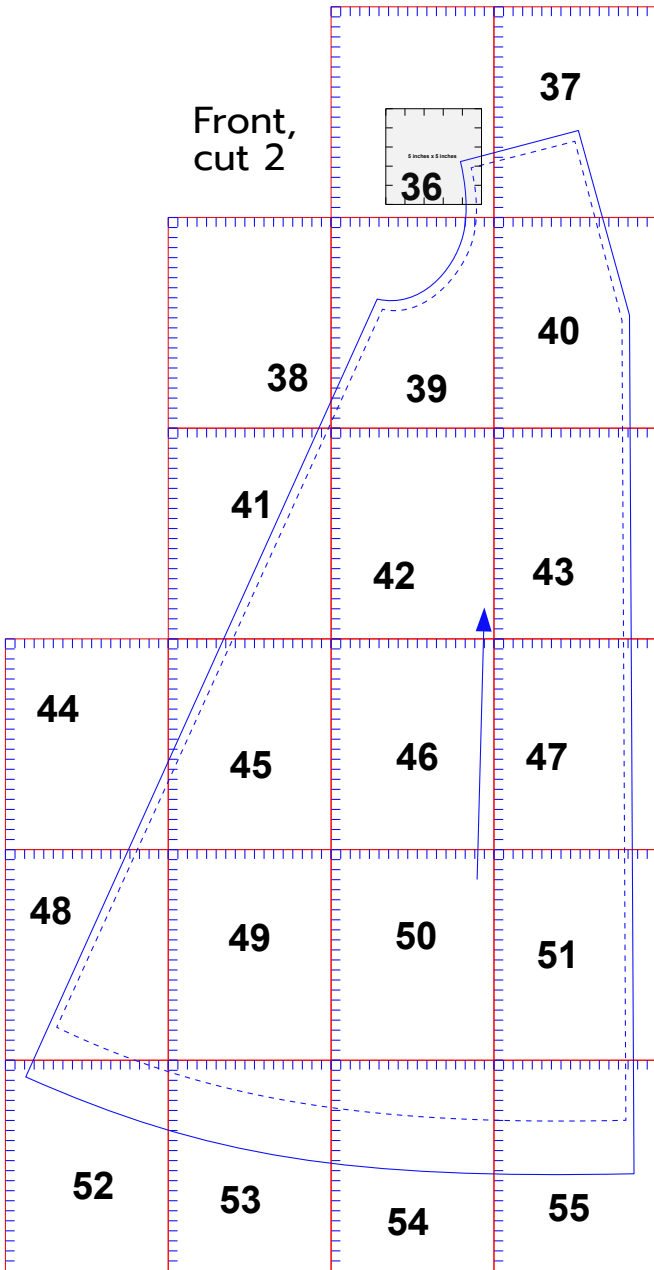
Hood Lining &
Front Facing,
cut 2

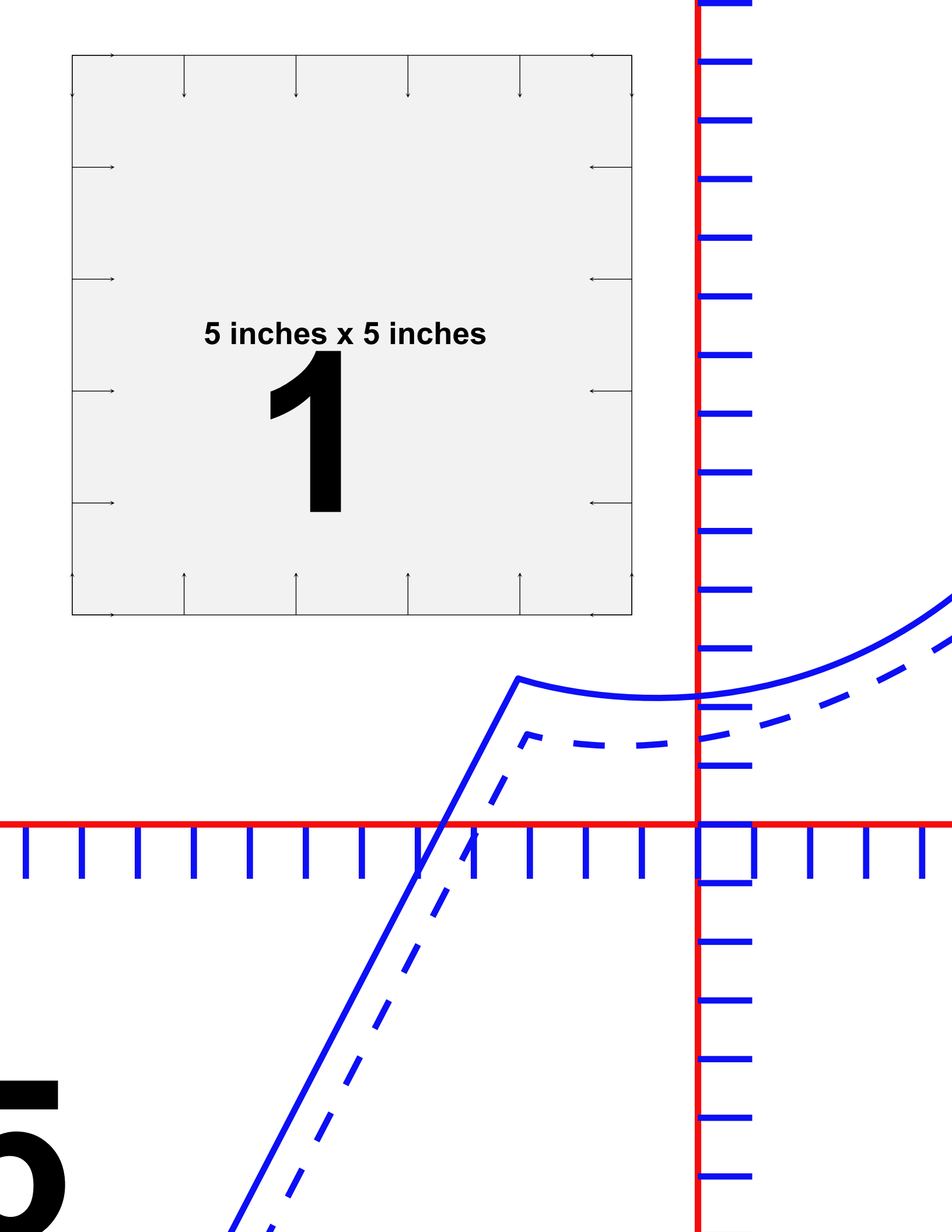
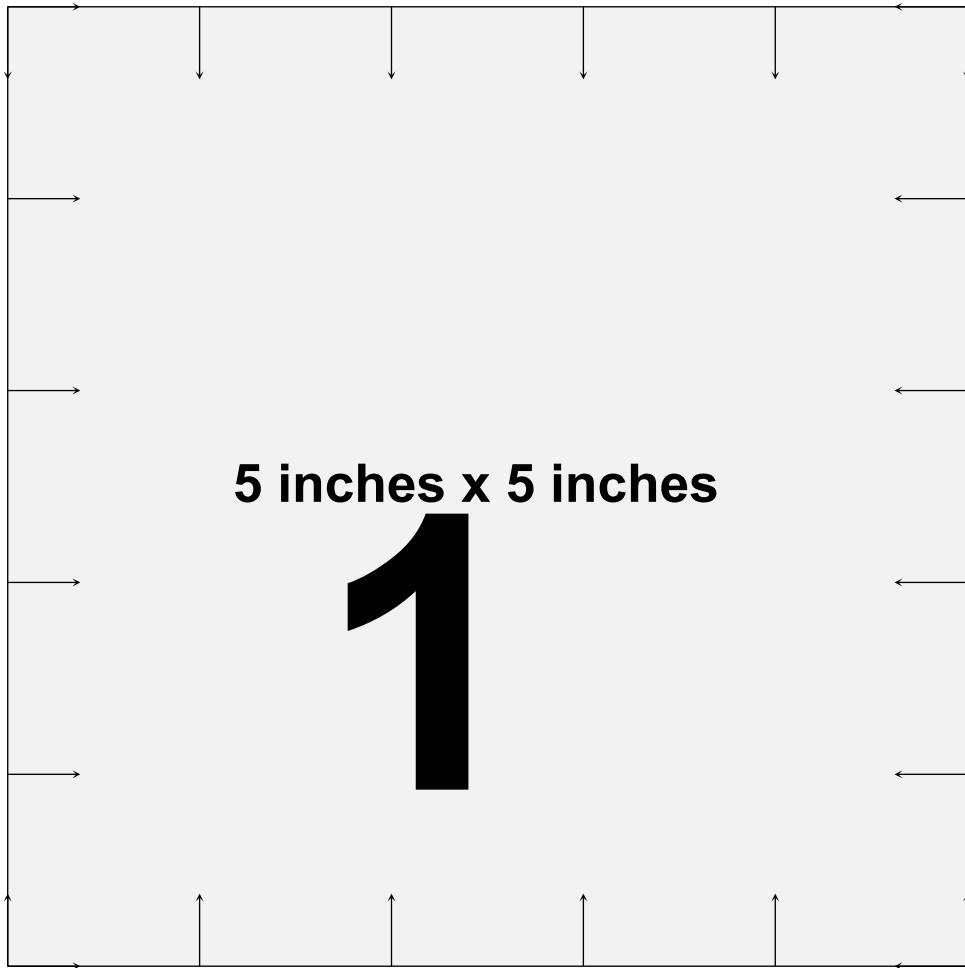


Hood,
cut 2

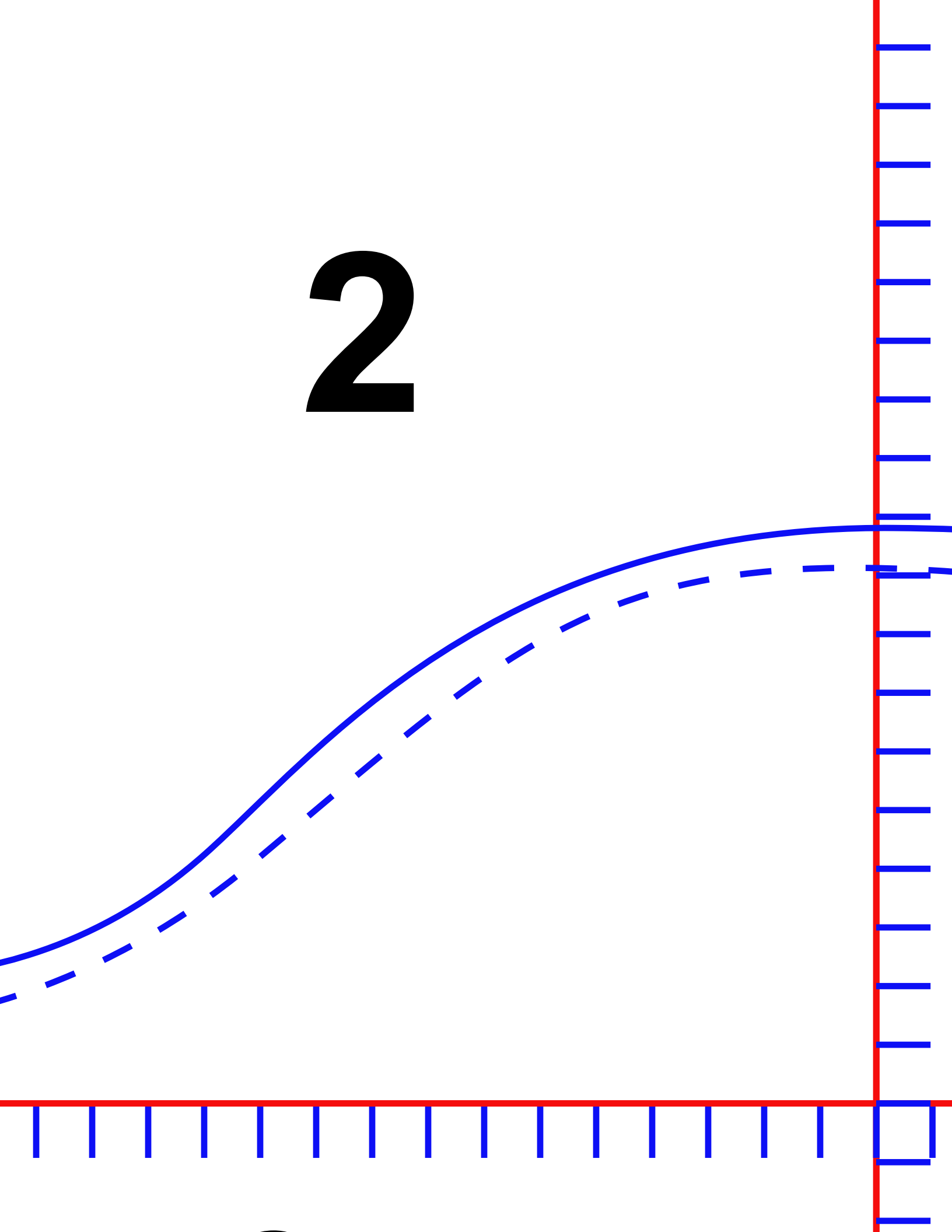


Sleeve Facing,
cut 2

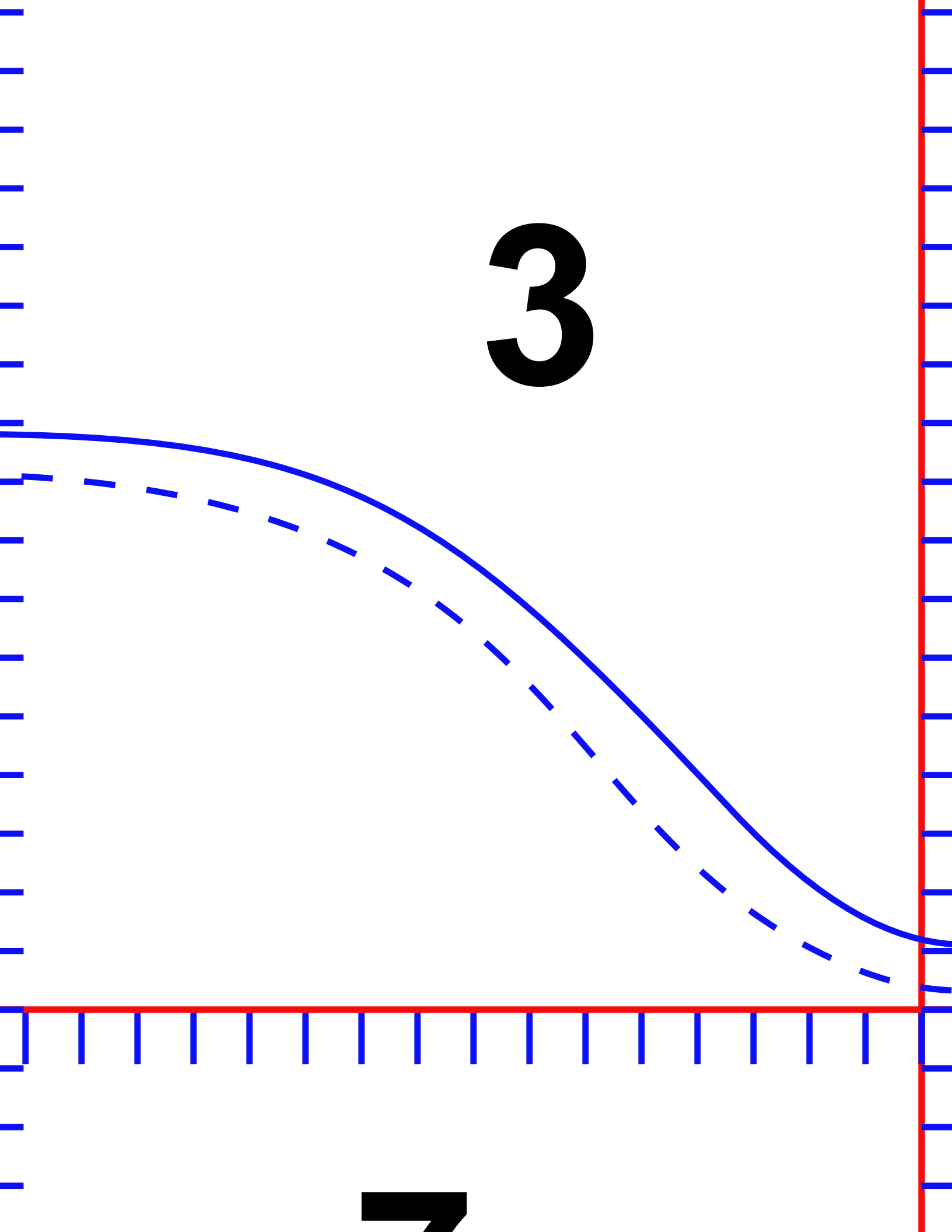




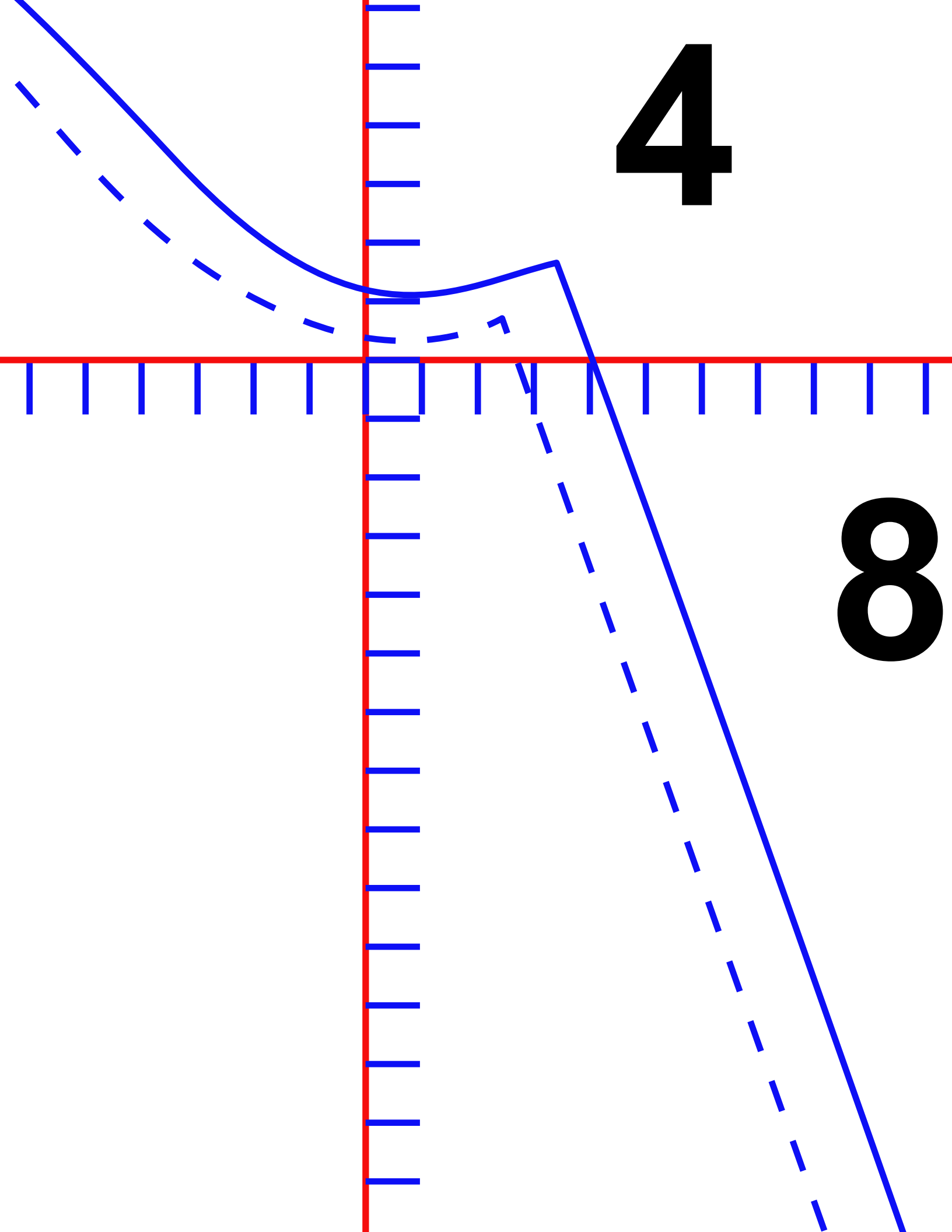
2



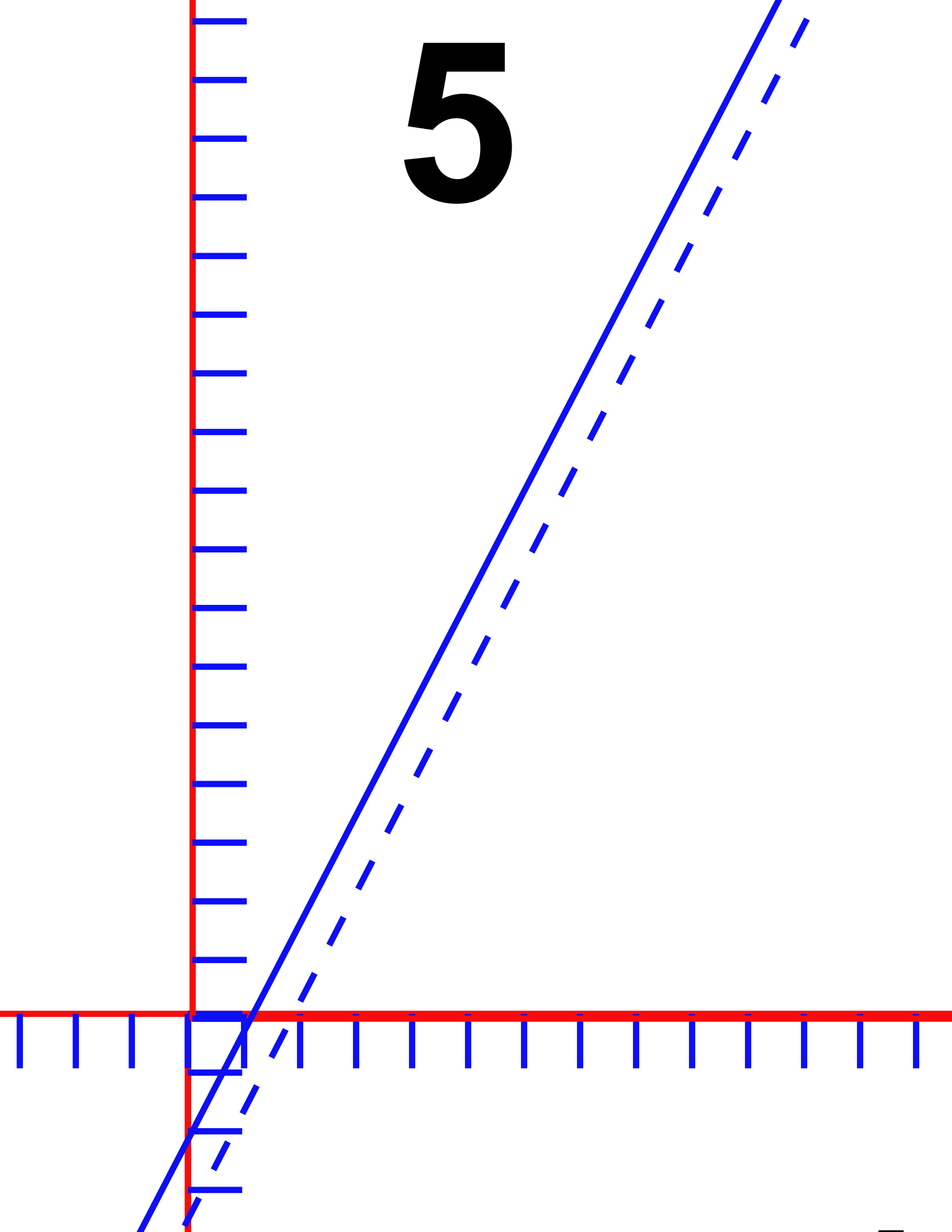
3



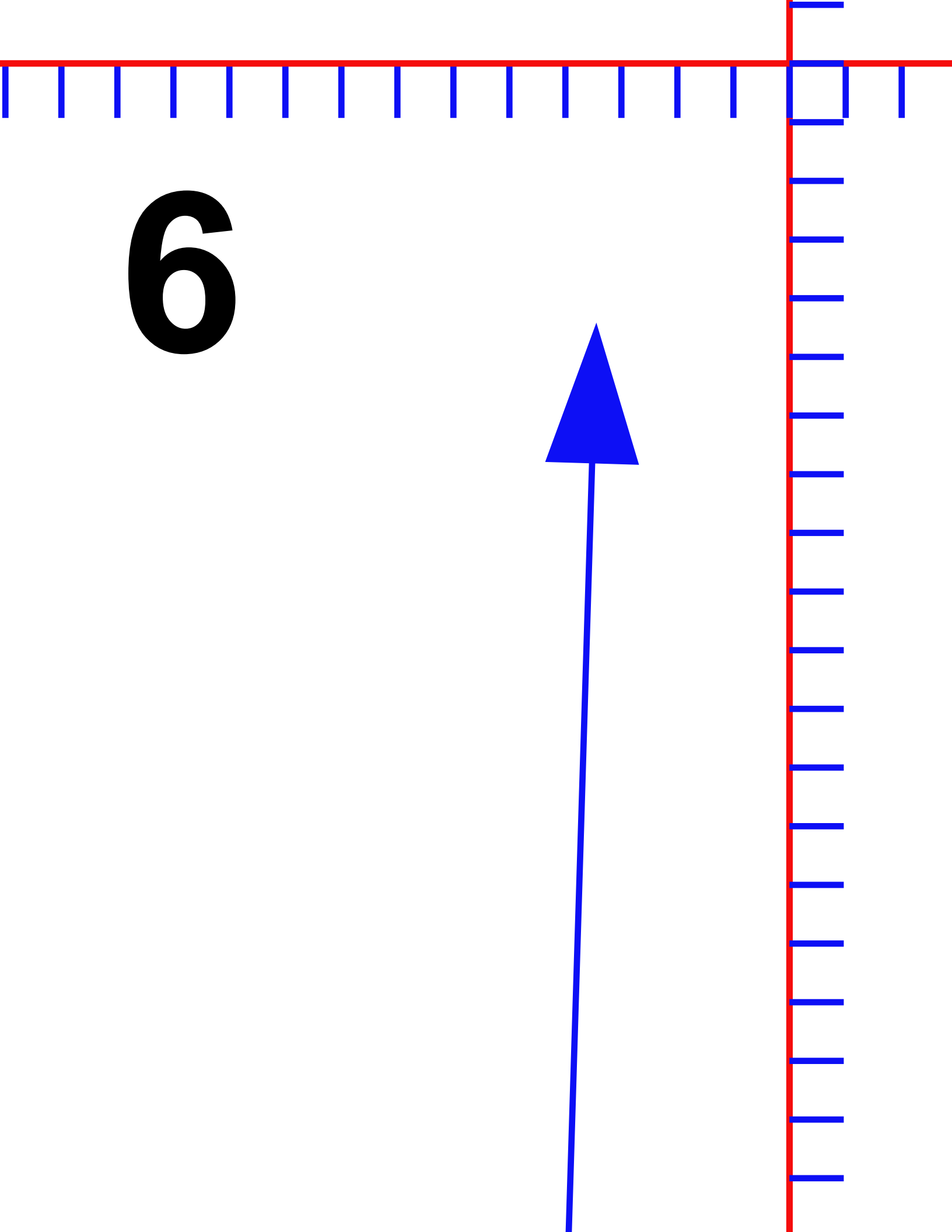
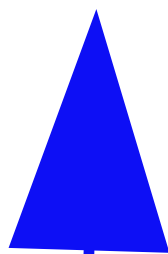
7



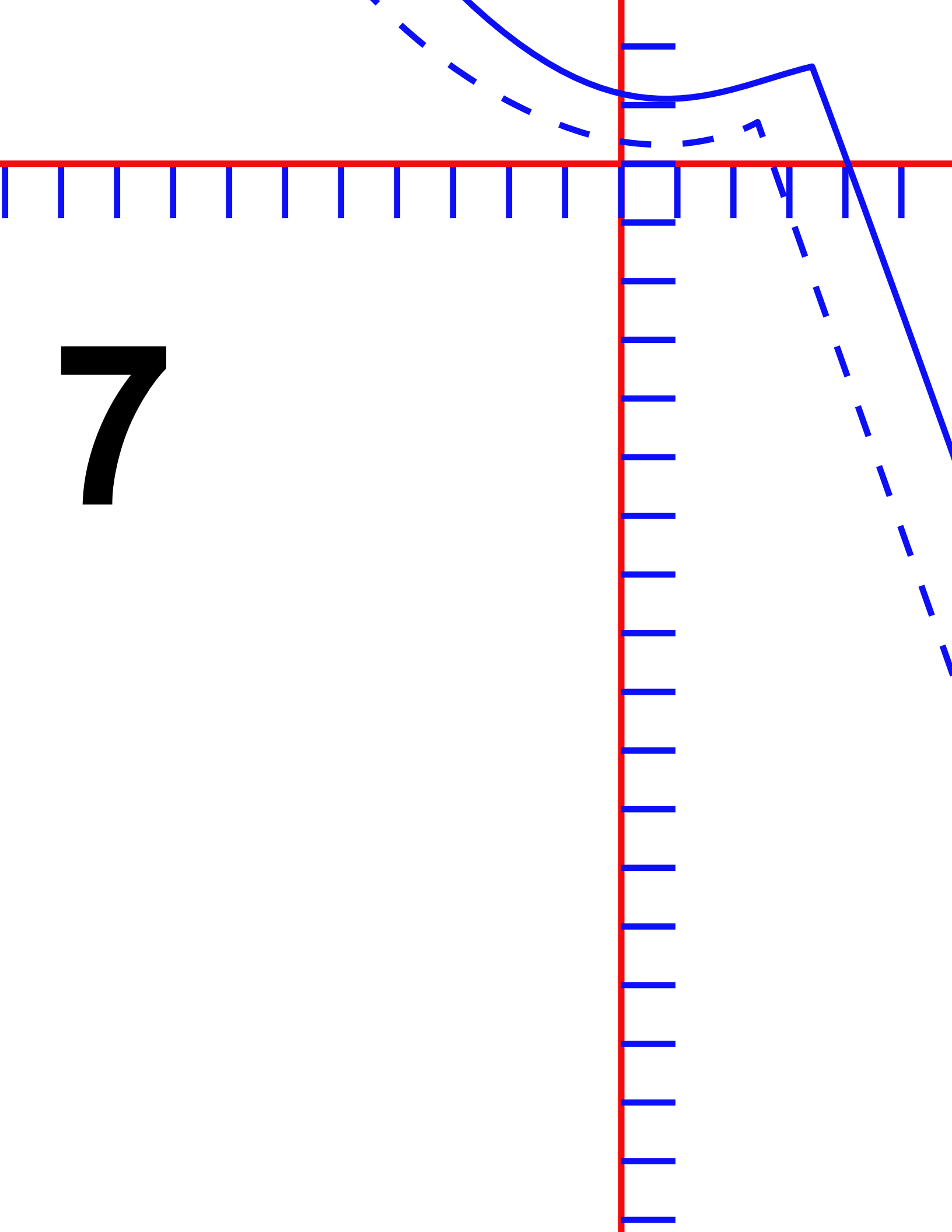
5



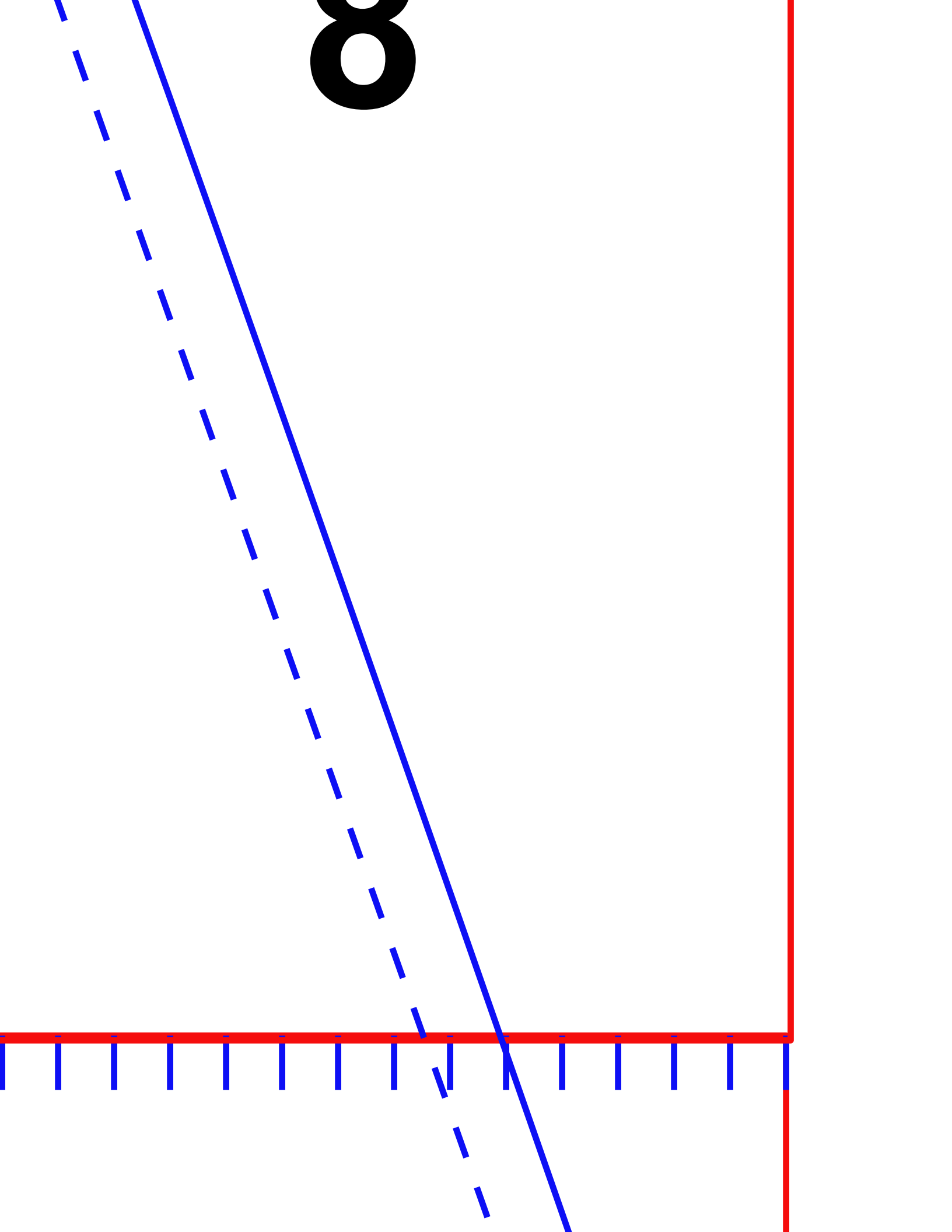
6



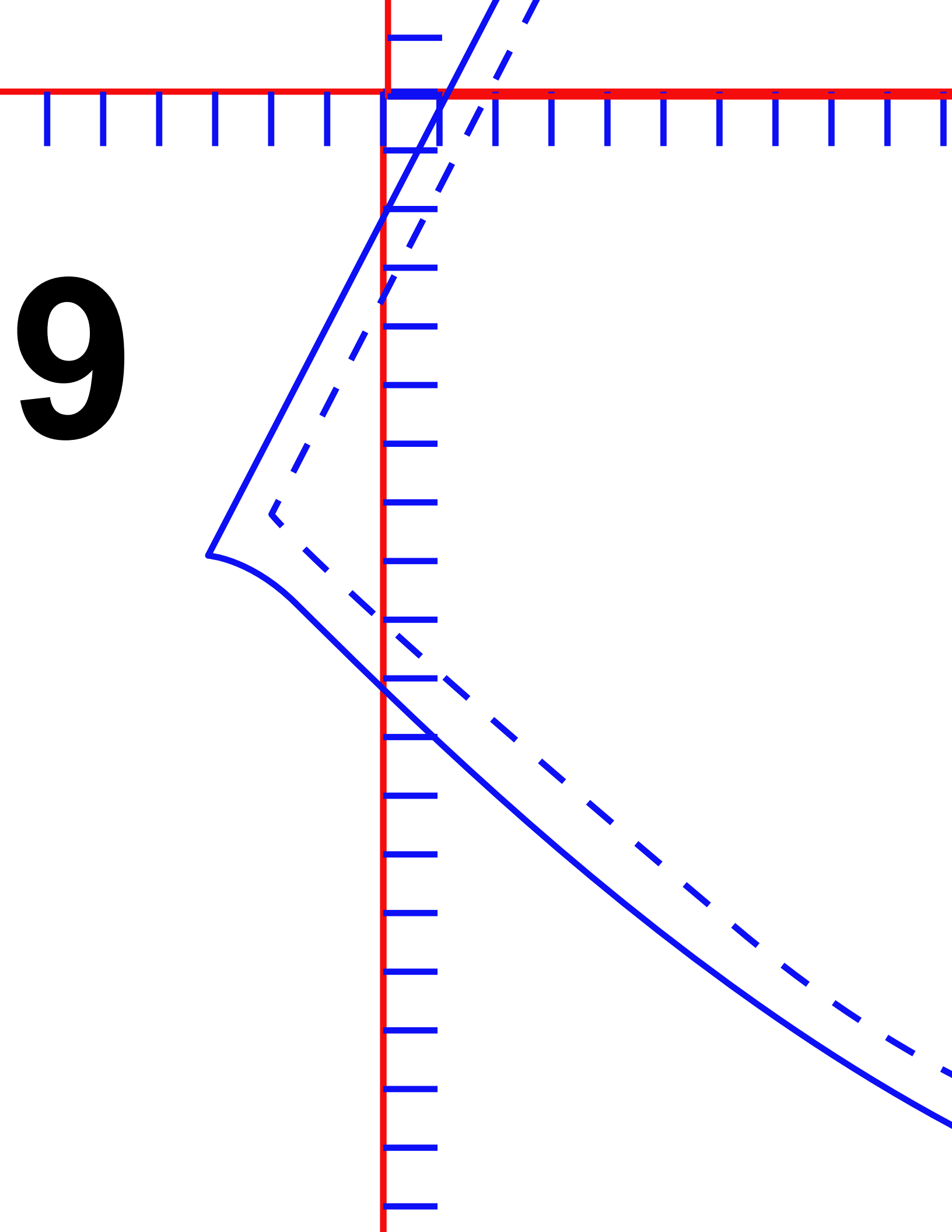
7



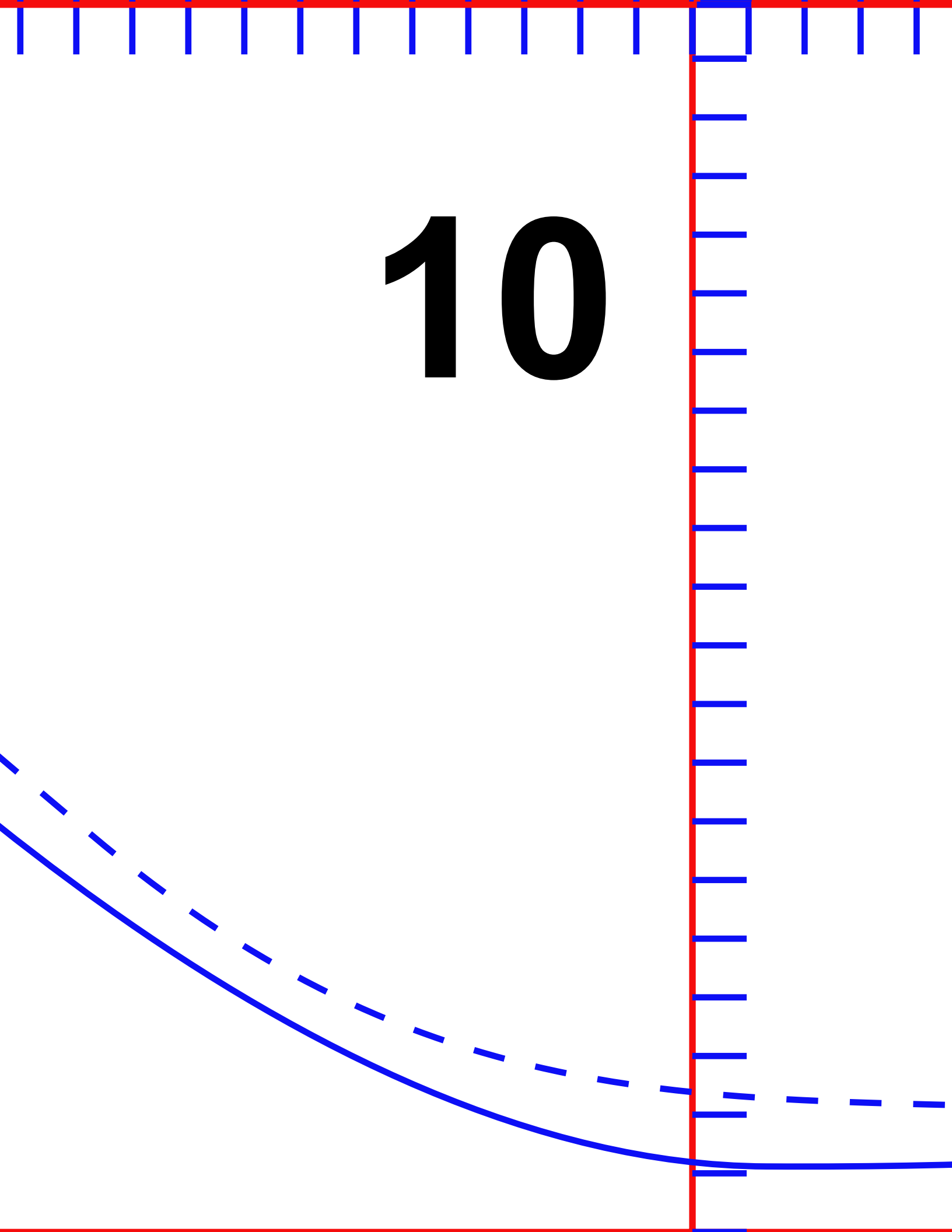
8



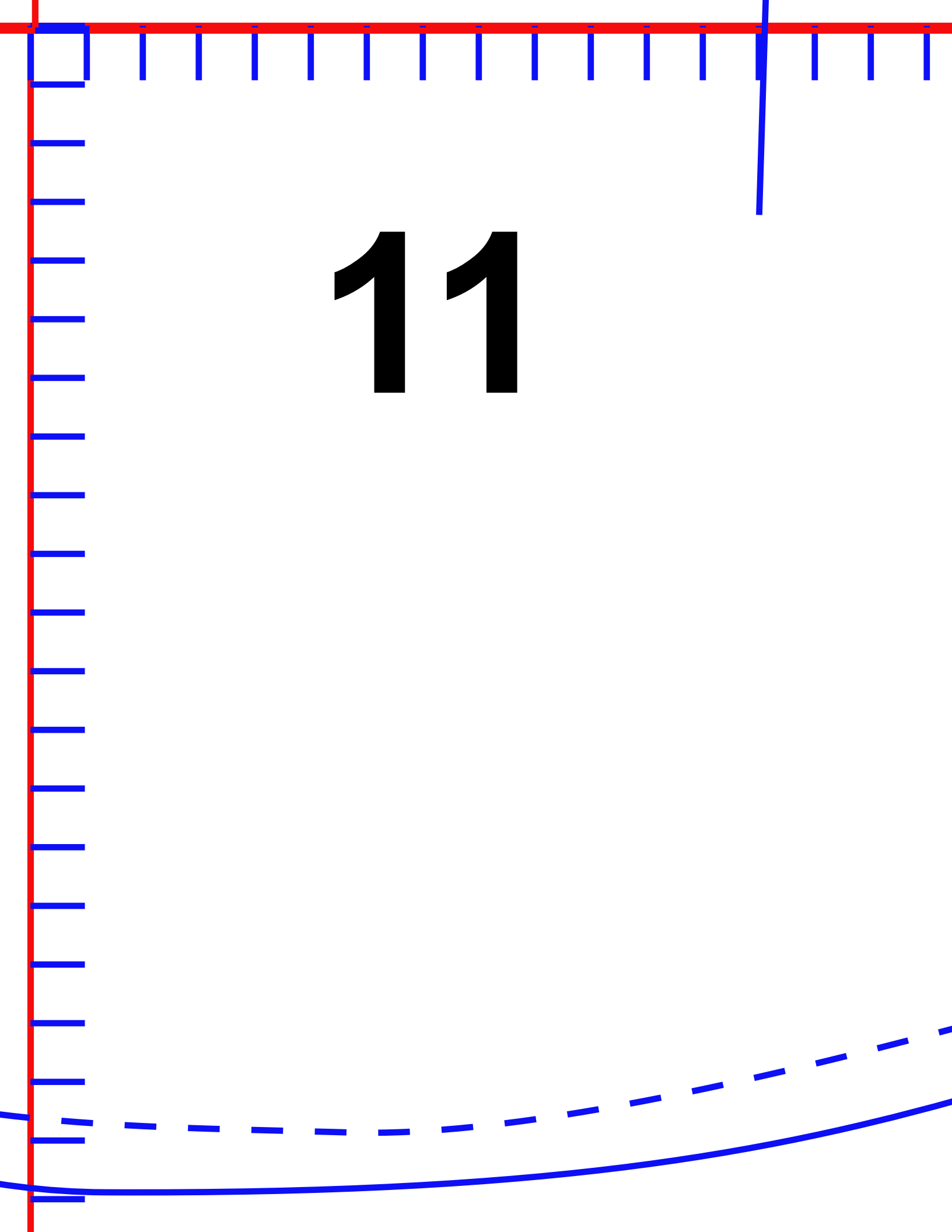
9



10



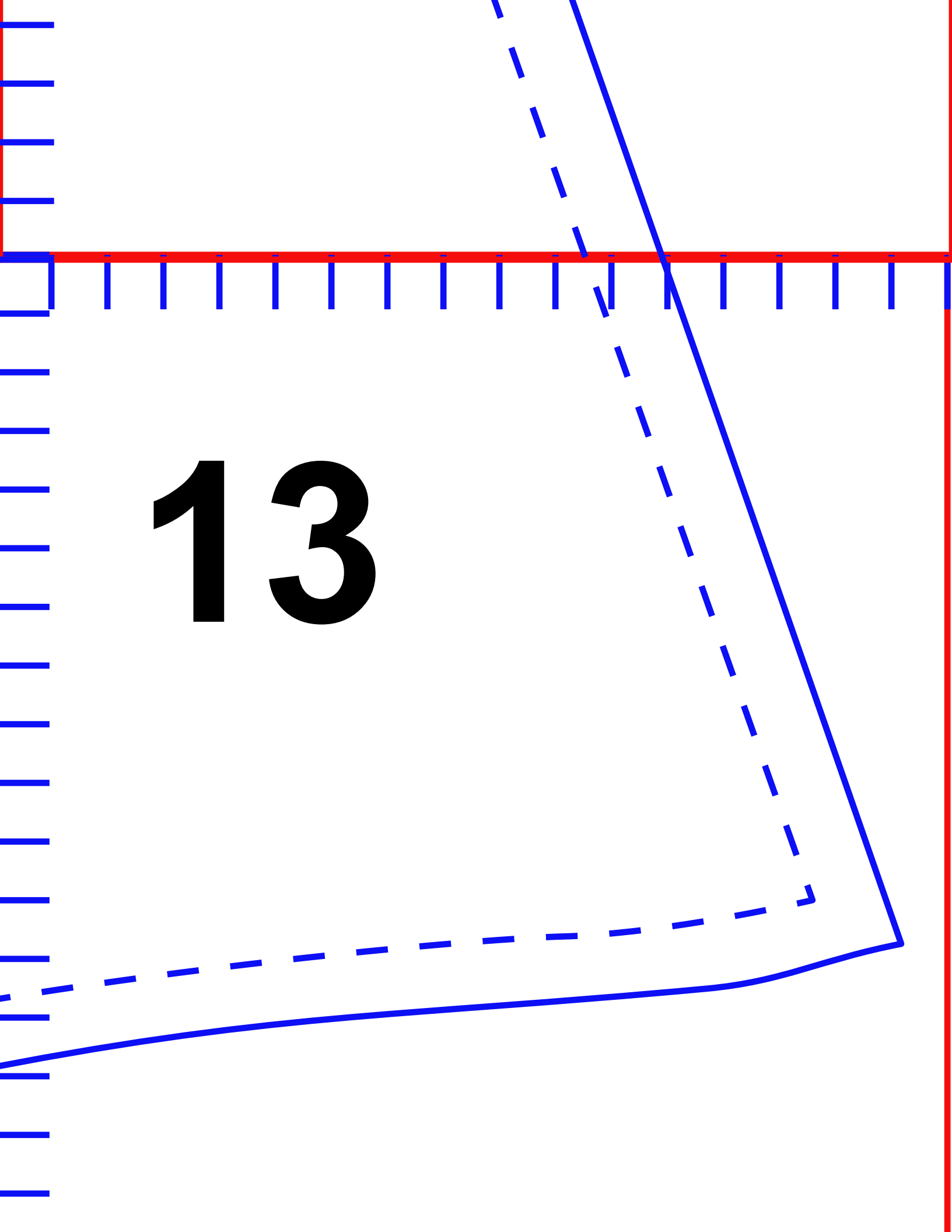
11





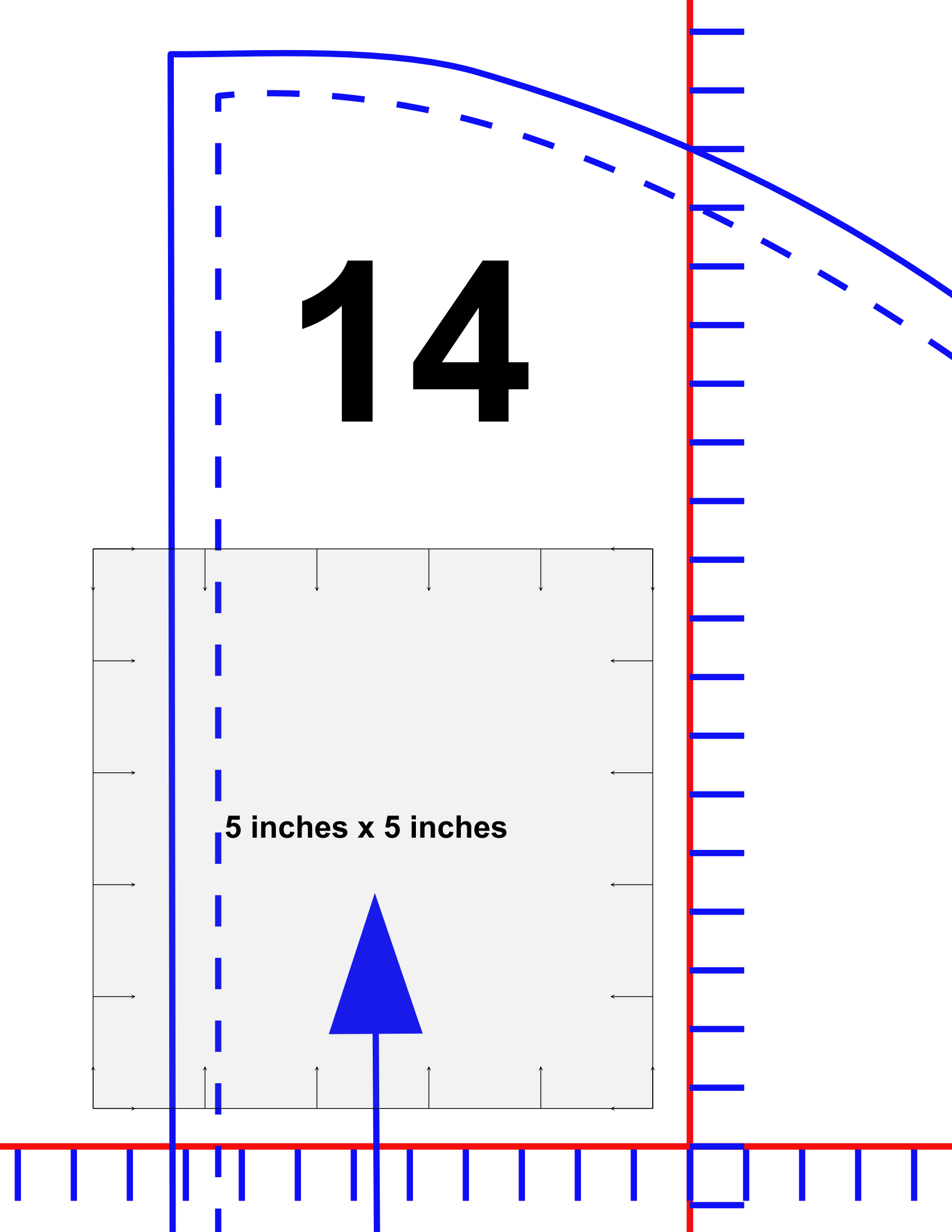
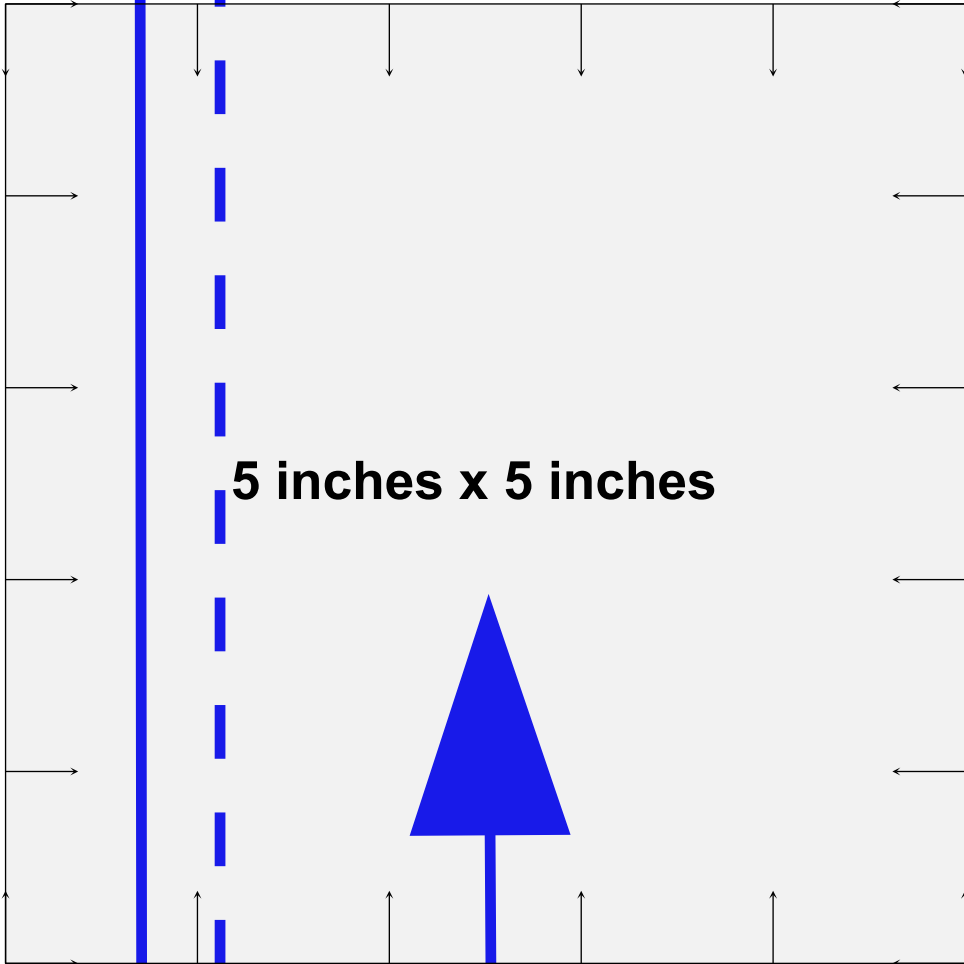
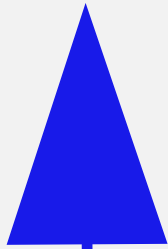
12

13

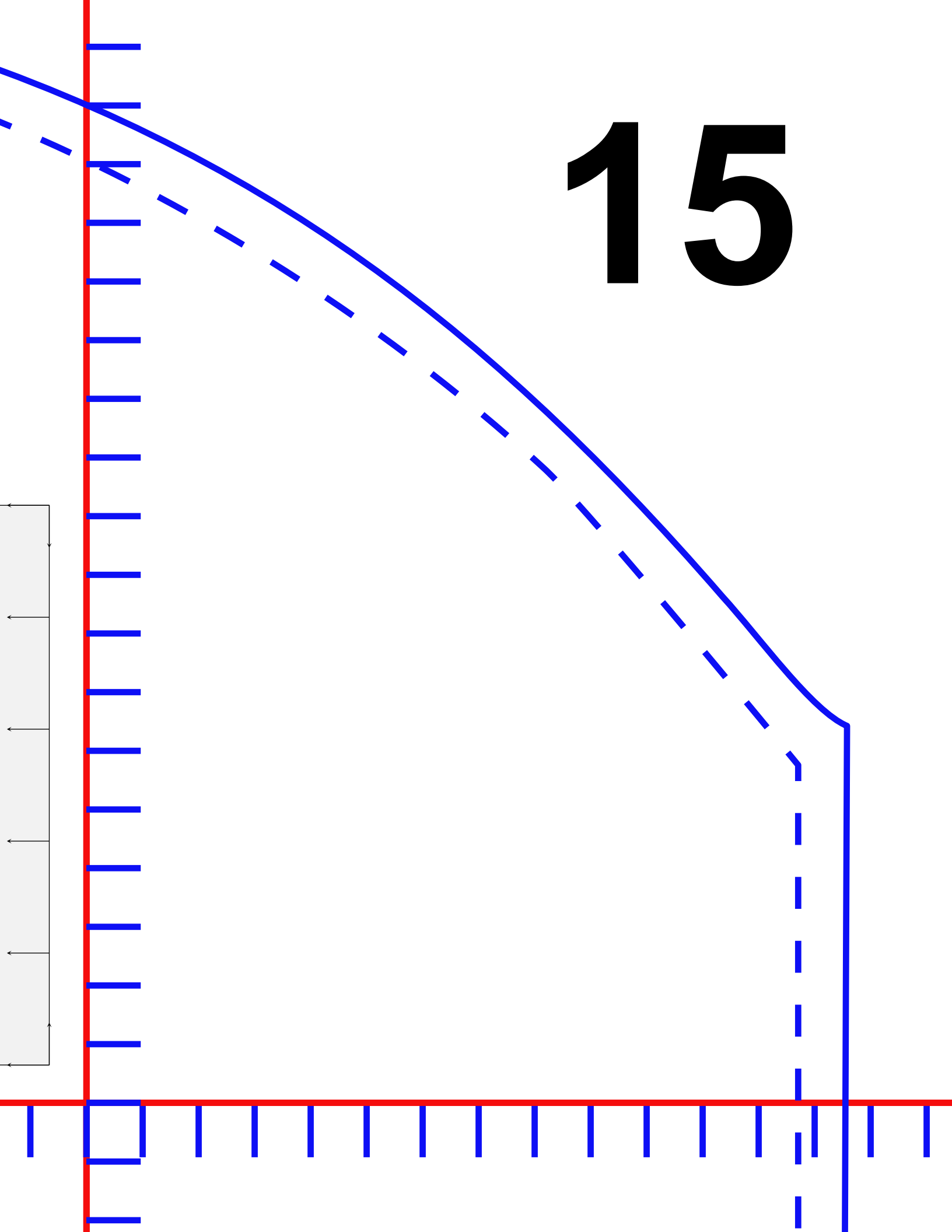


14

5 inches x 5 inches



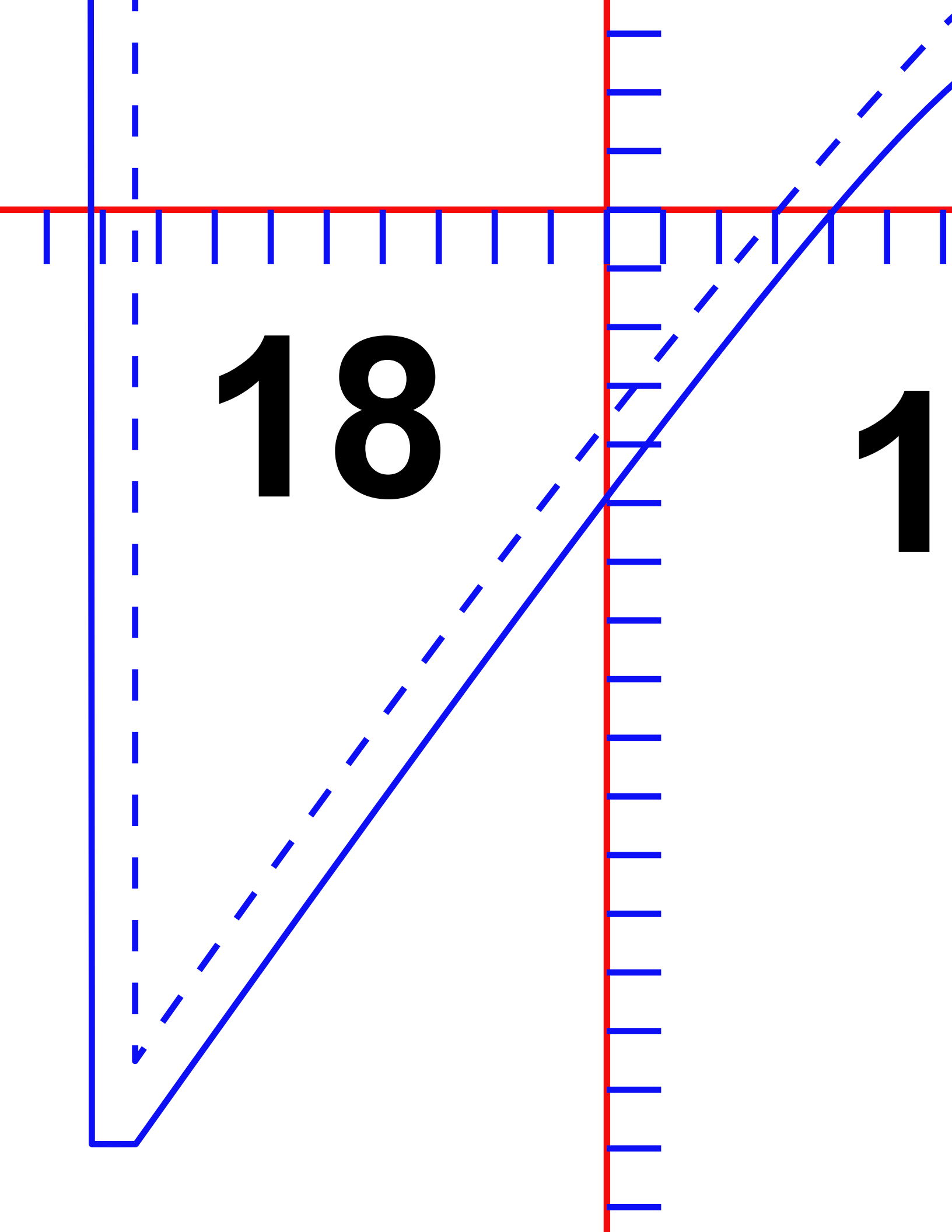
15



16

17

17

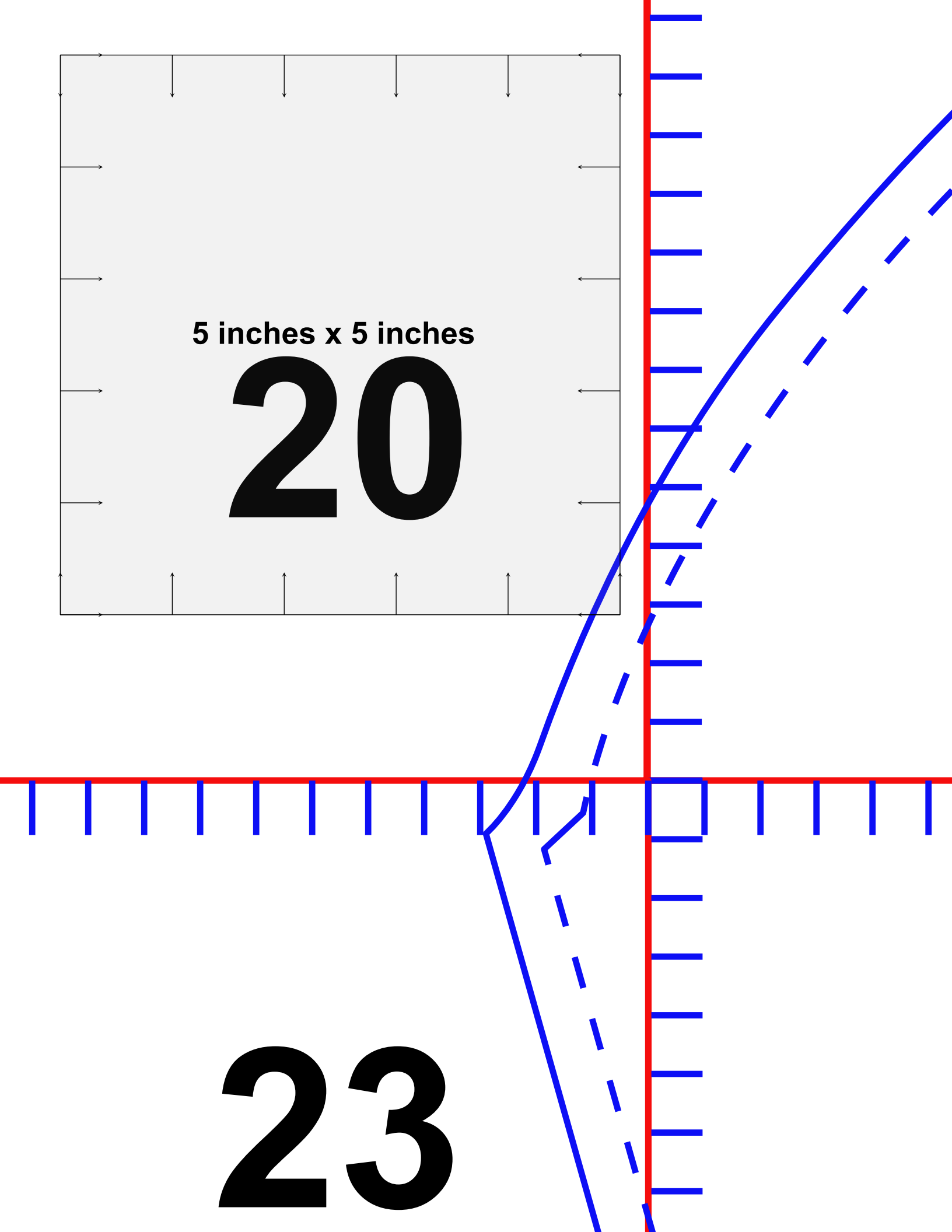
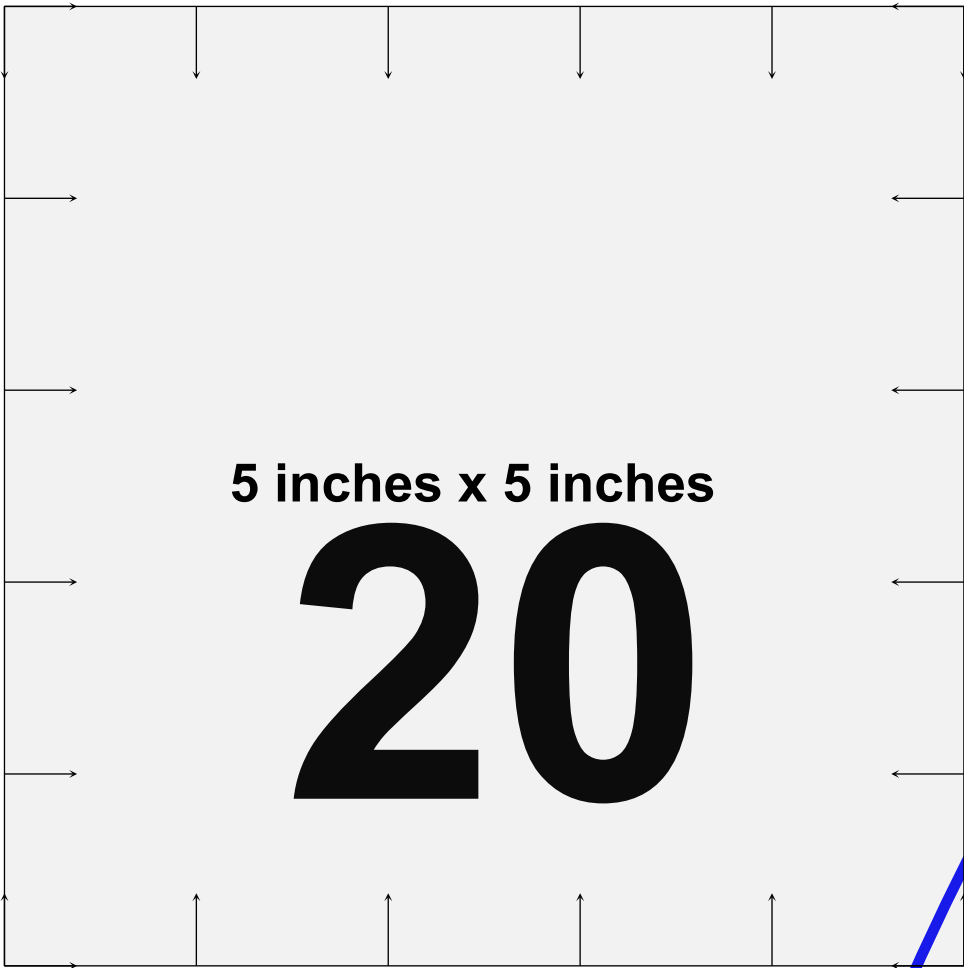


18

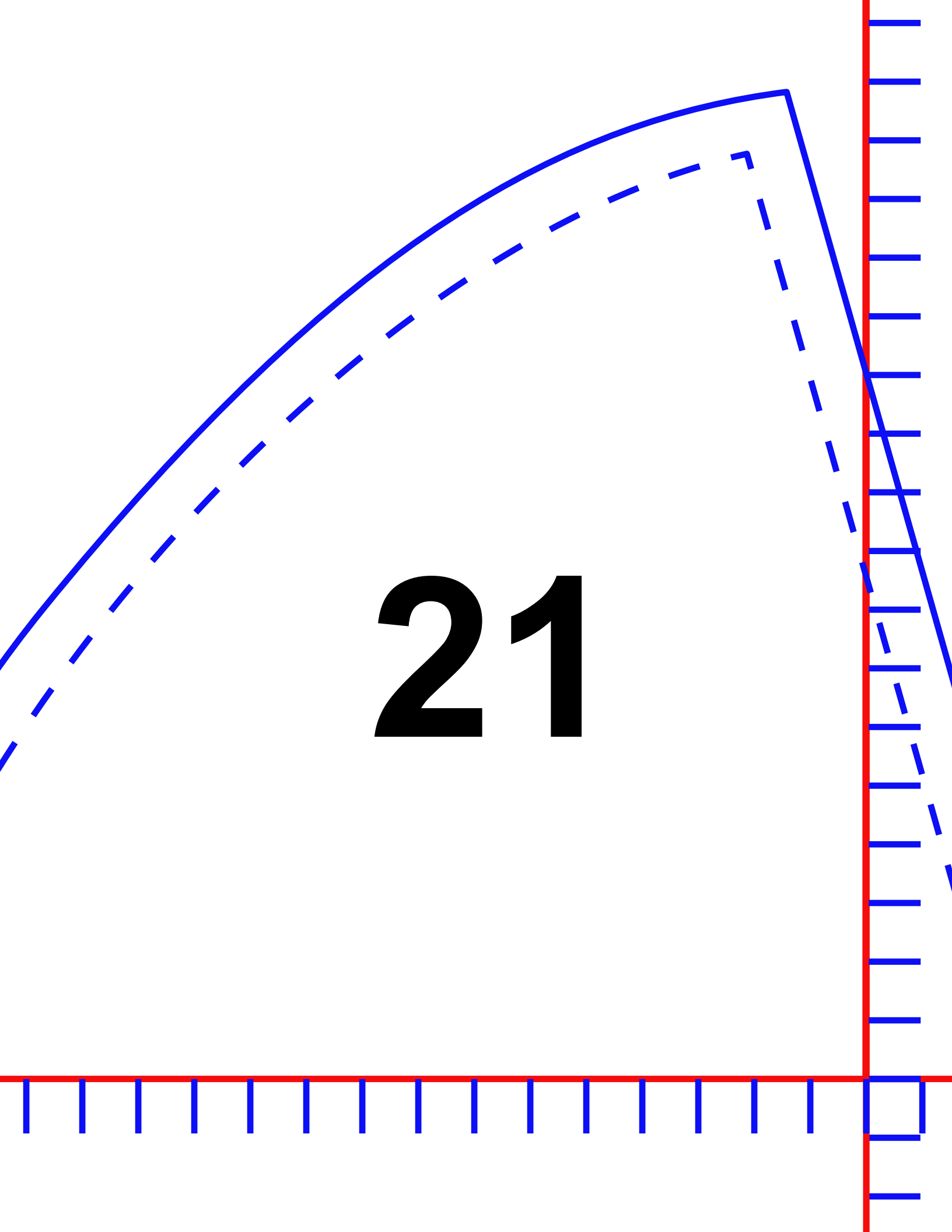
1

17

19



23

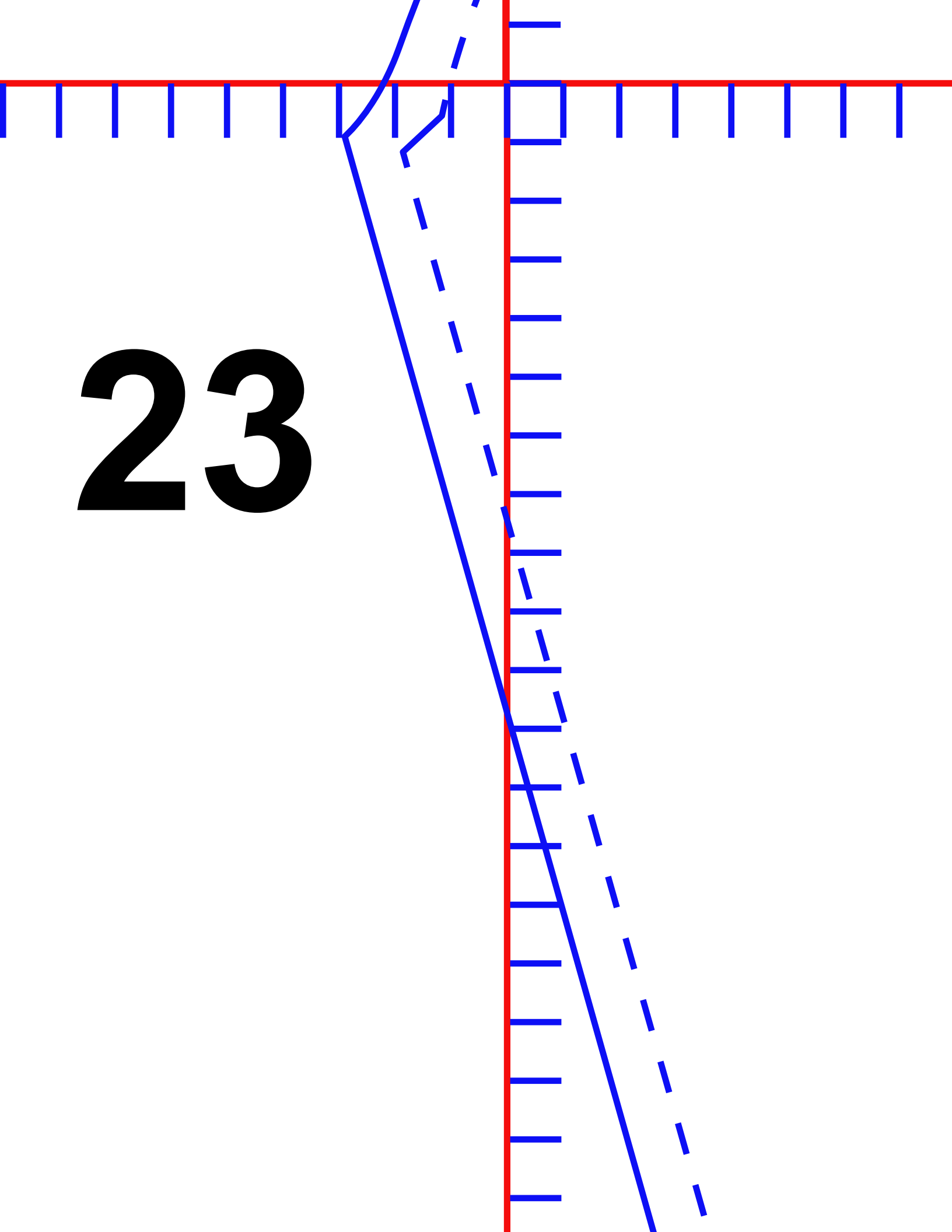


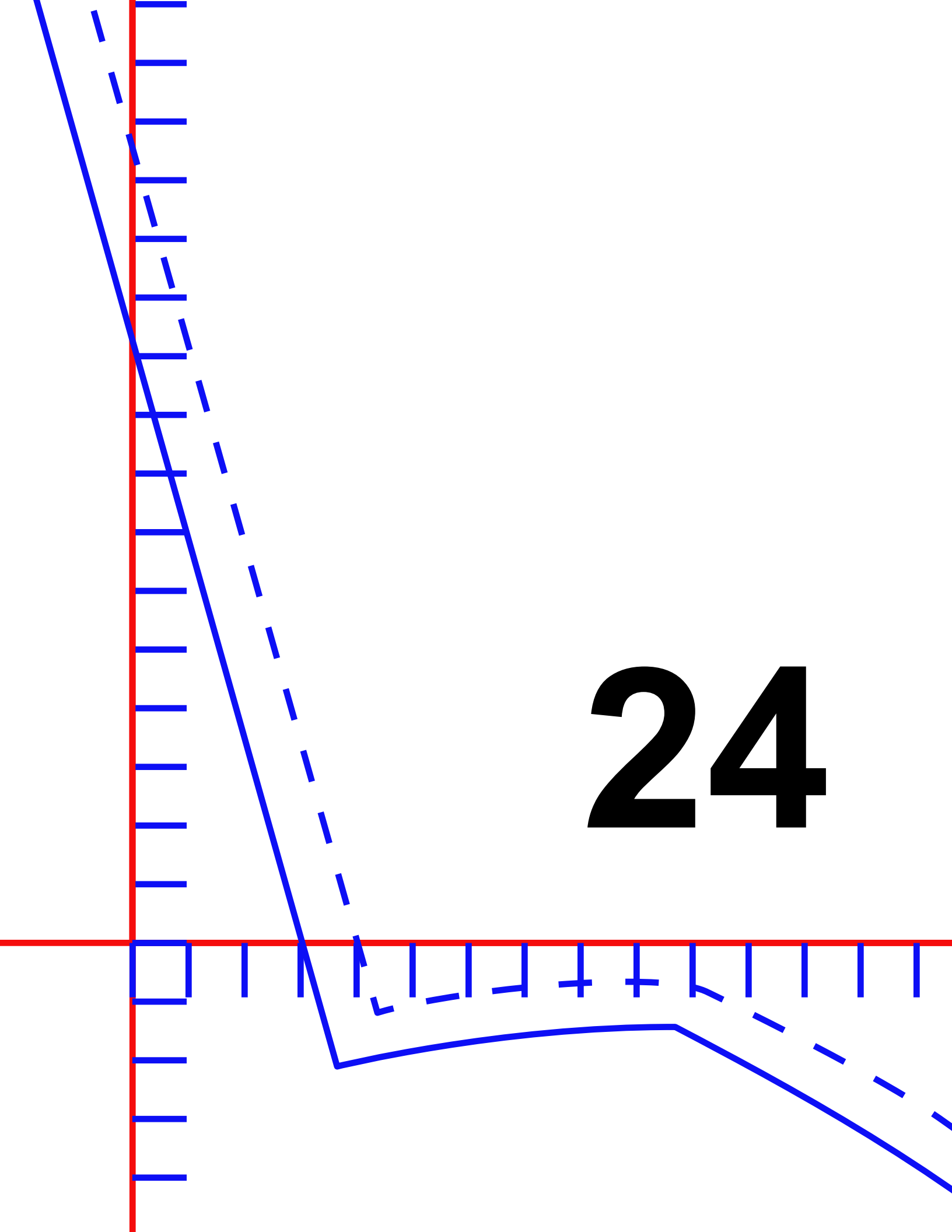
21

22

25

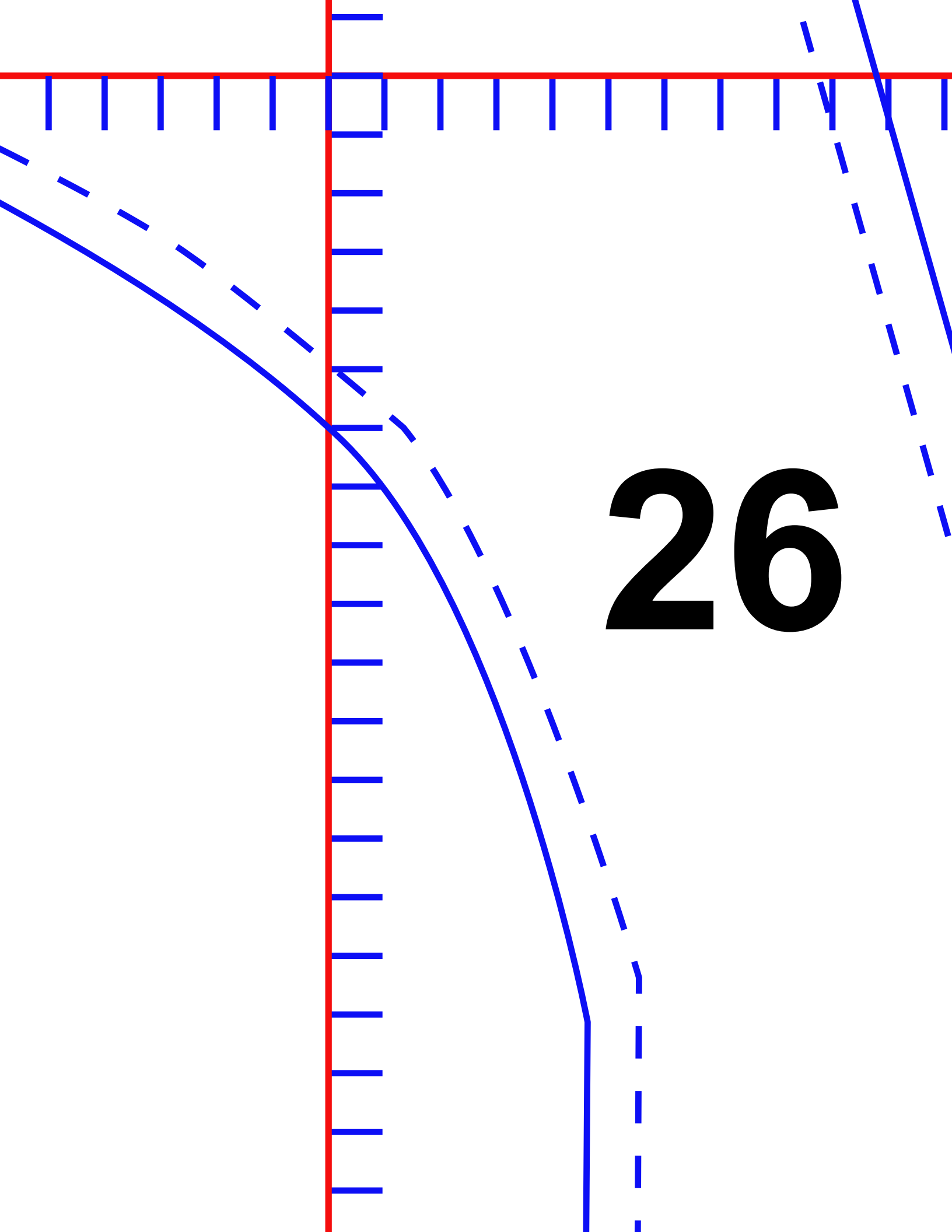
23





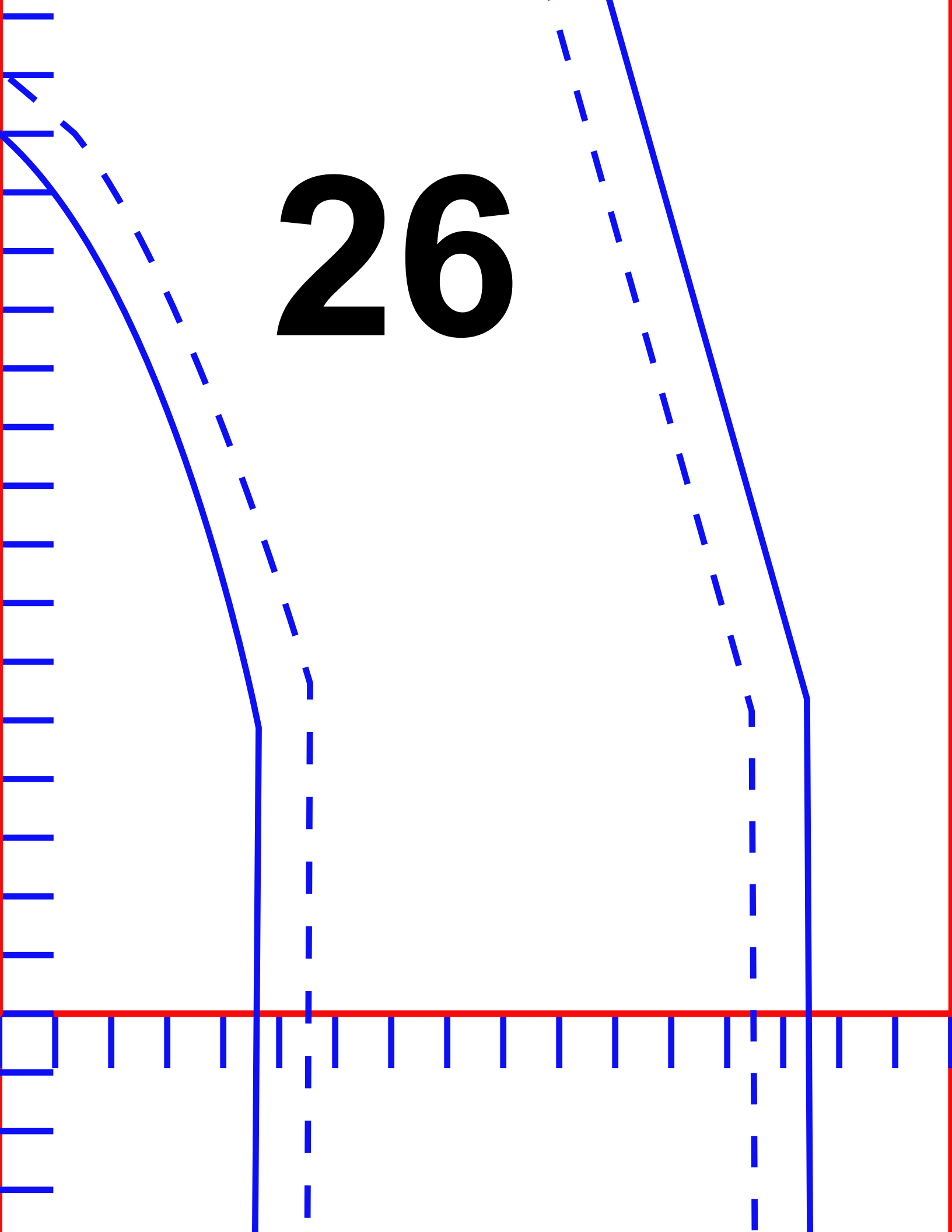
24

25



26

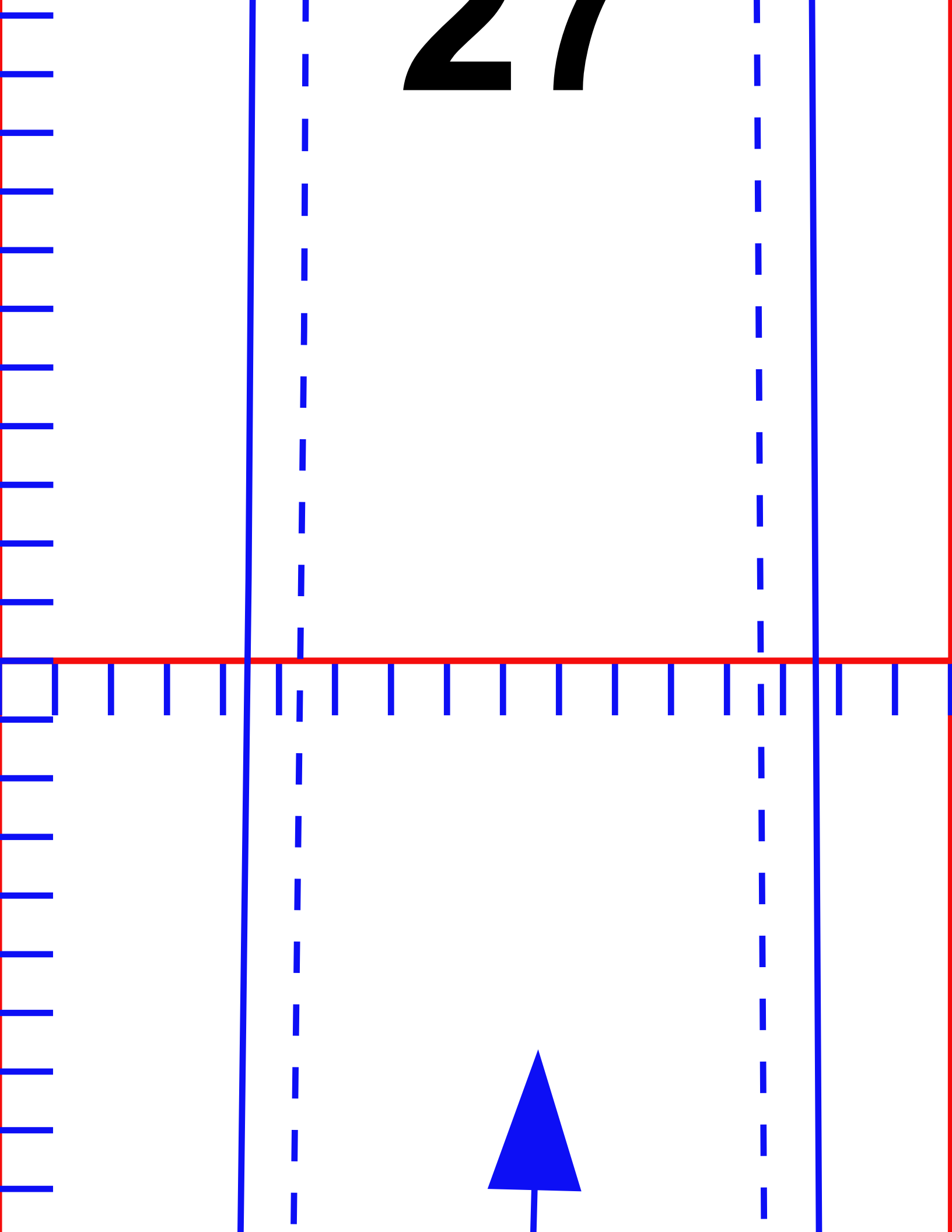
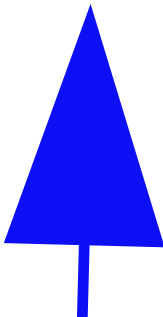
26



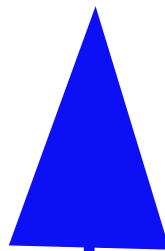


27

27



28

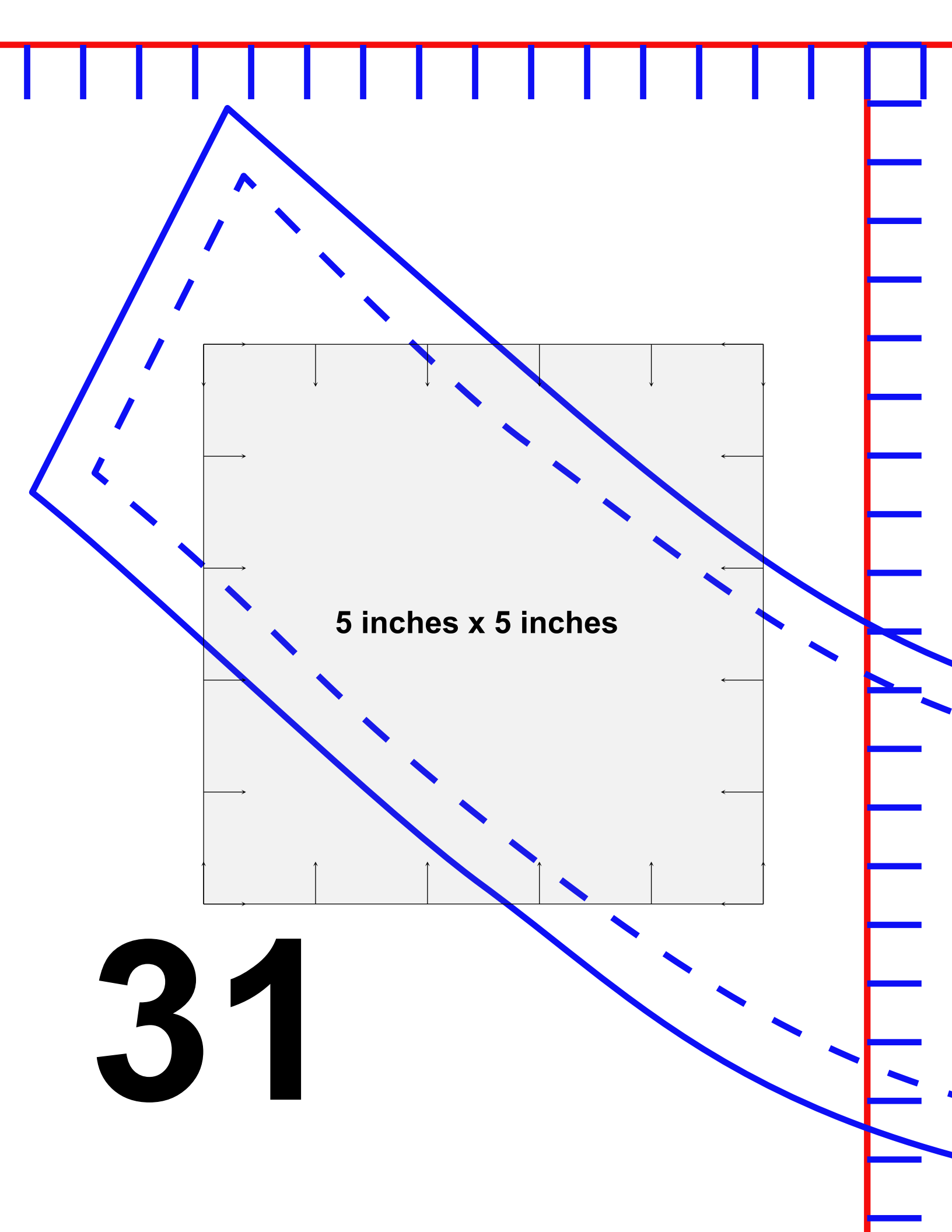


29

29

30

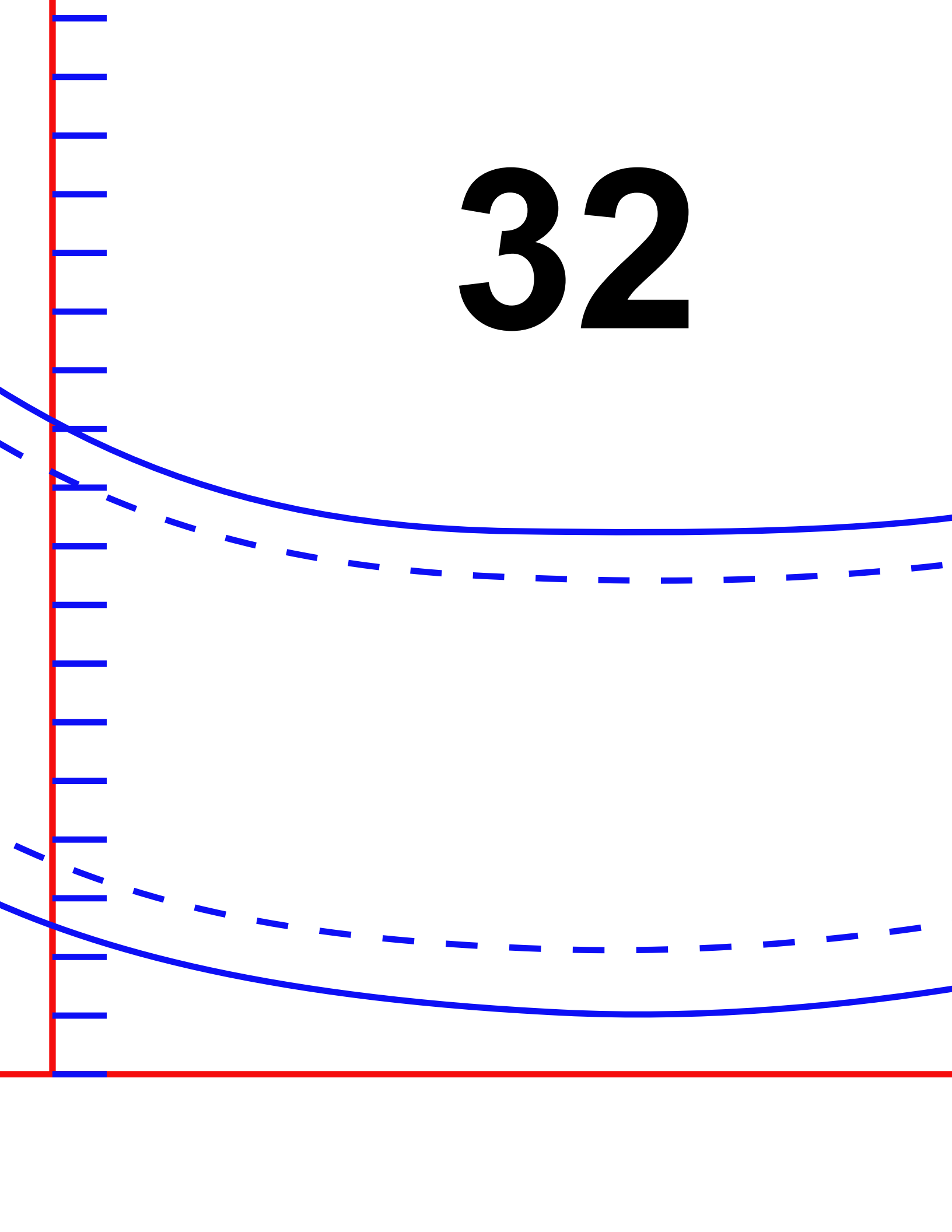
30



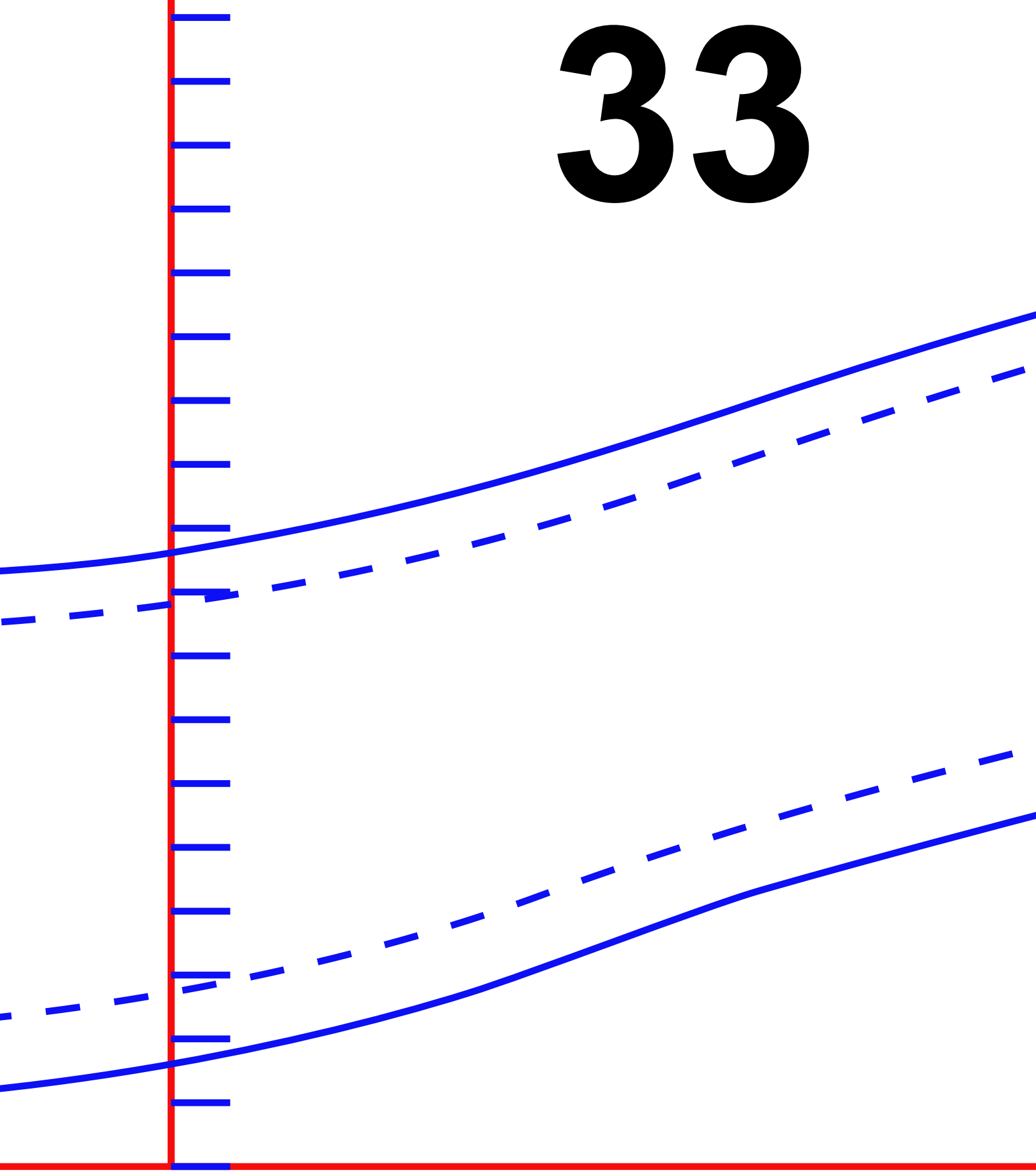
5 inches x 5 inches

31

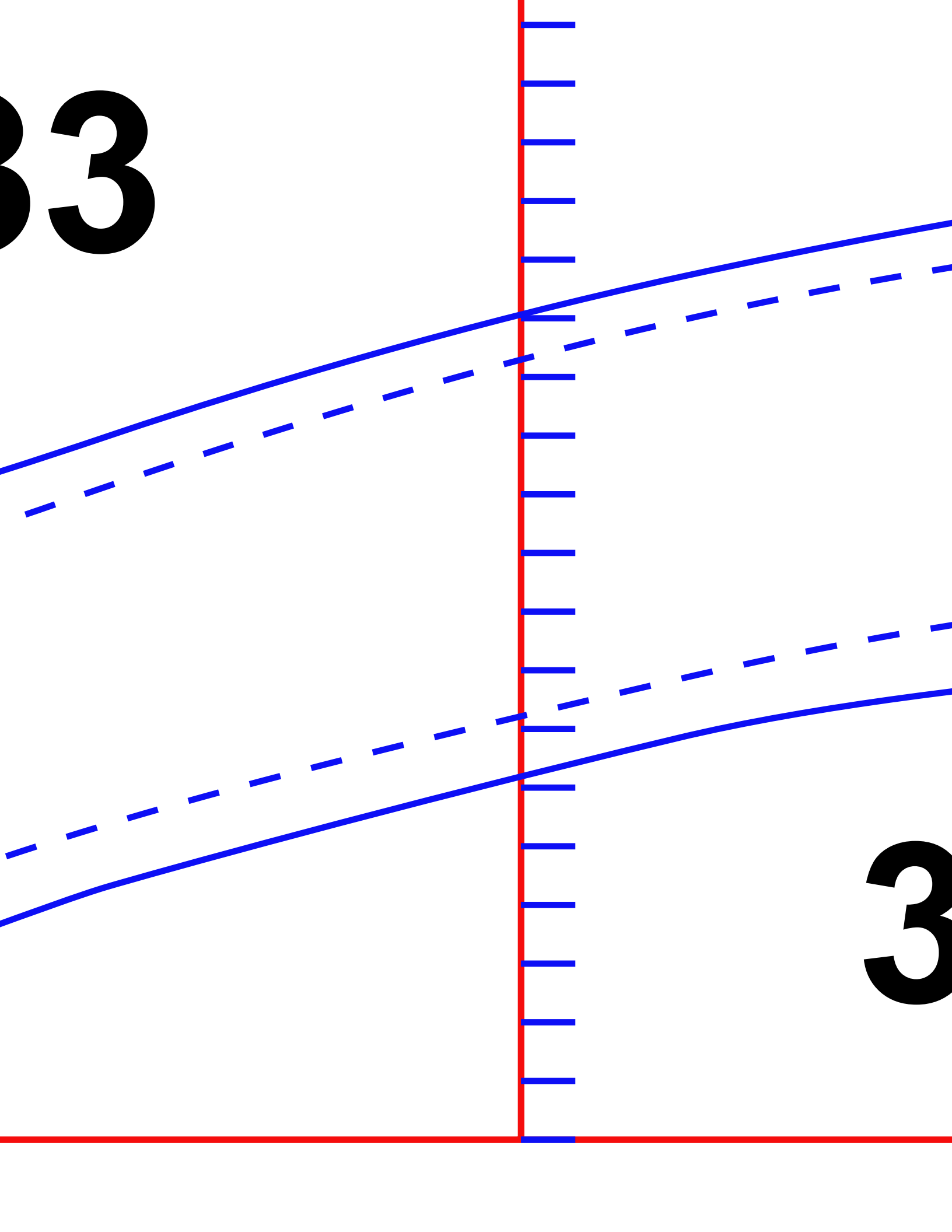
32



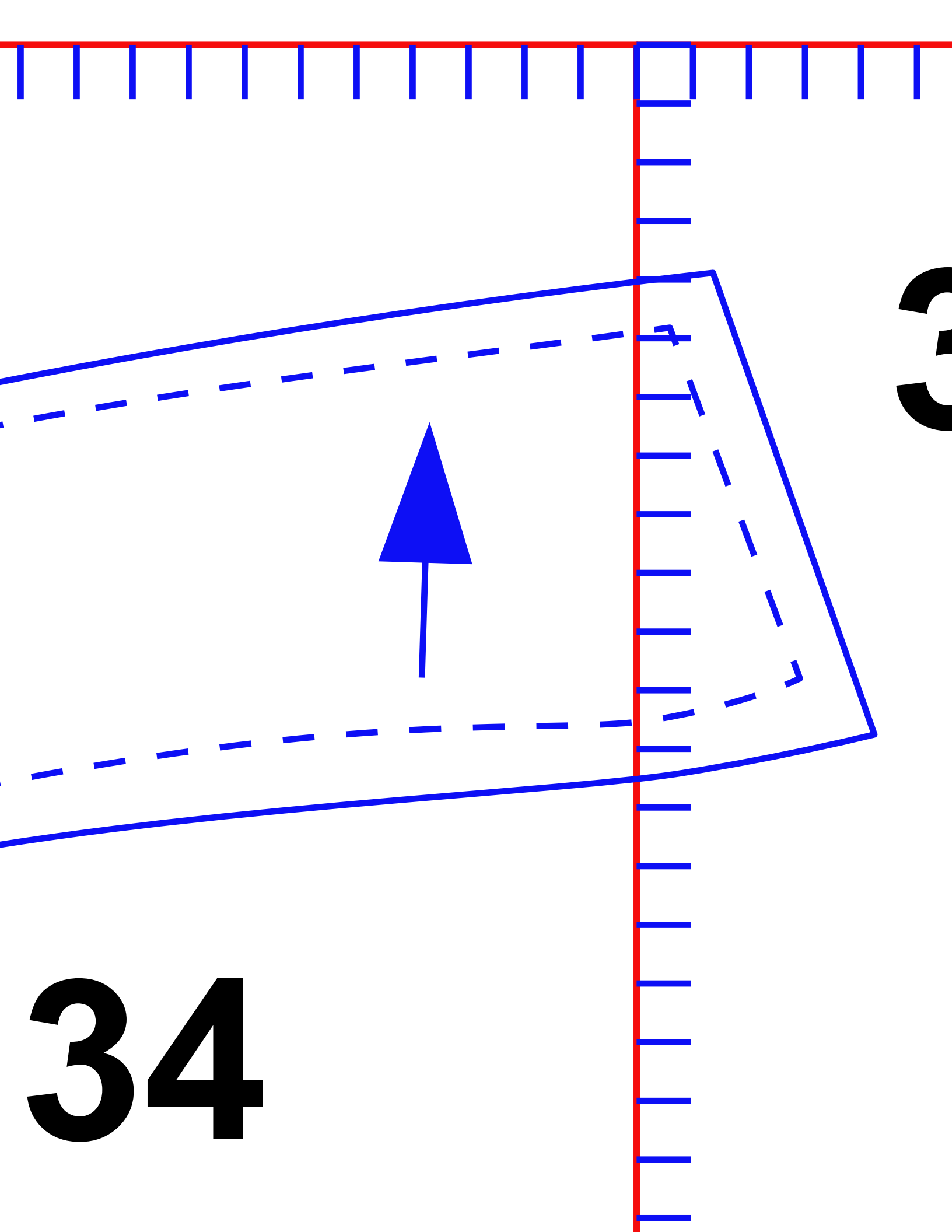
33



33

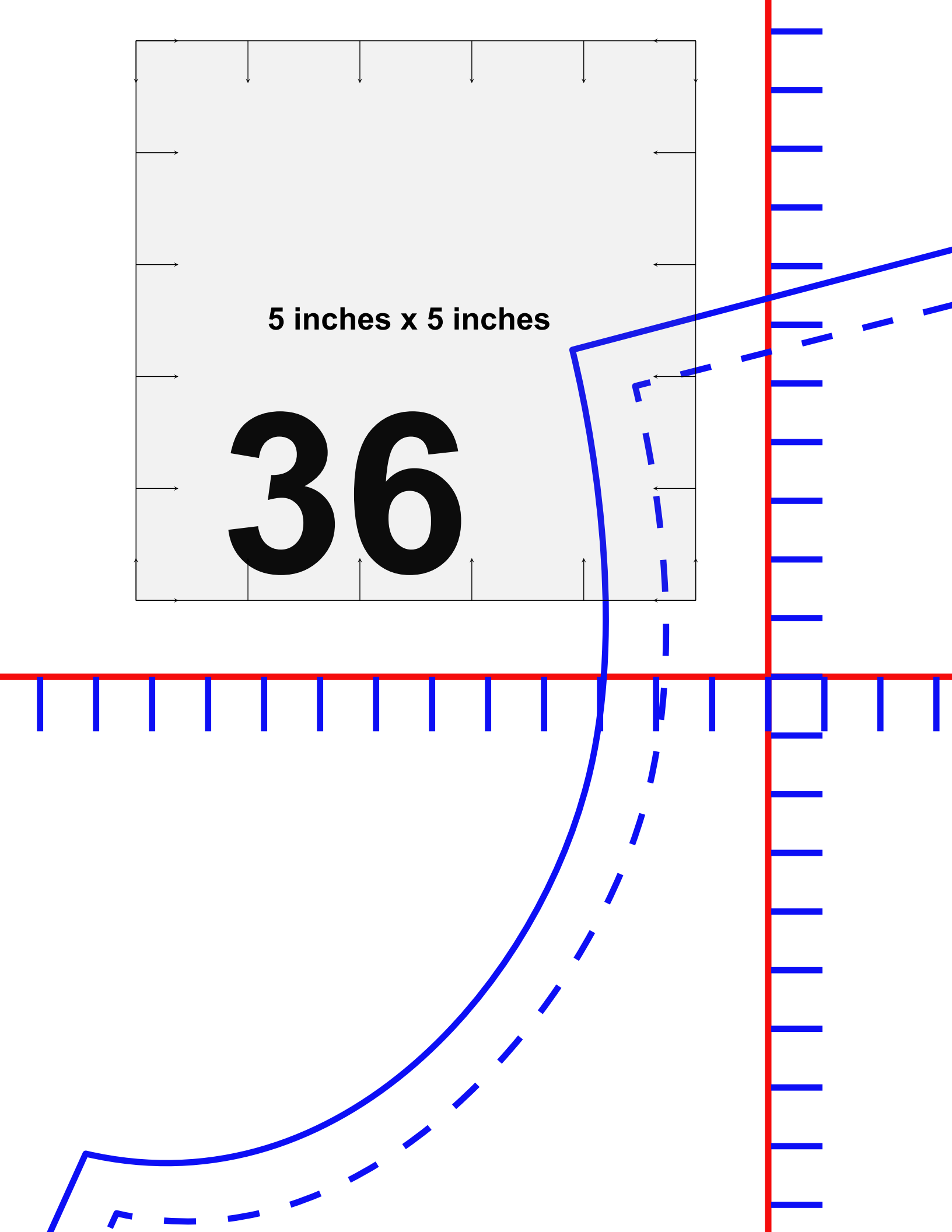
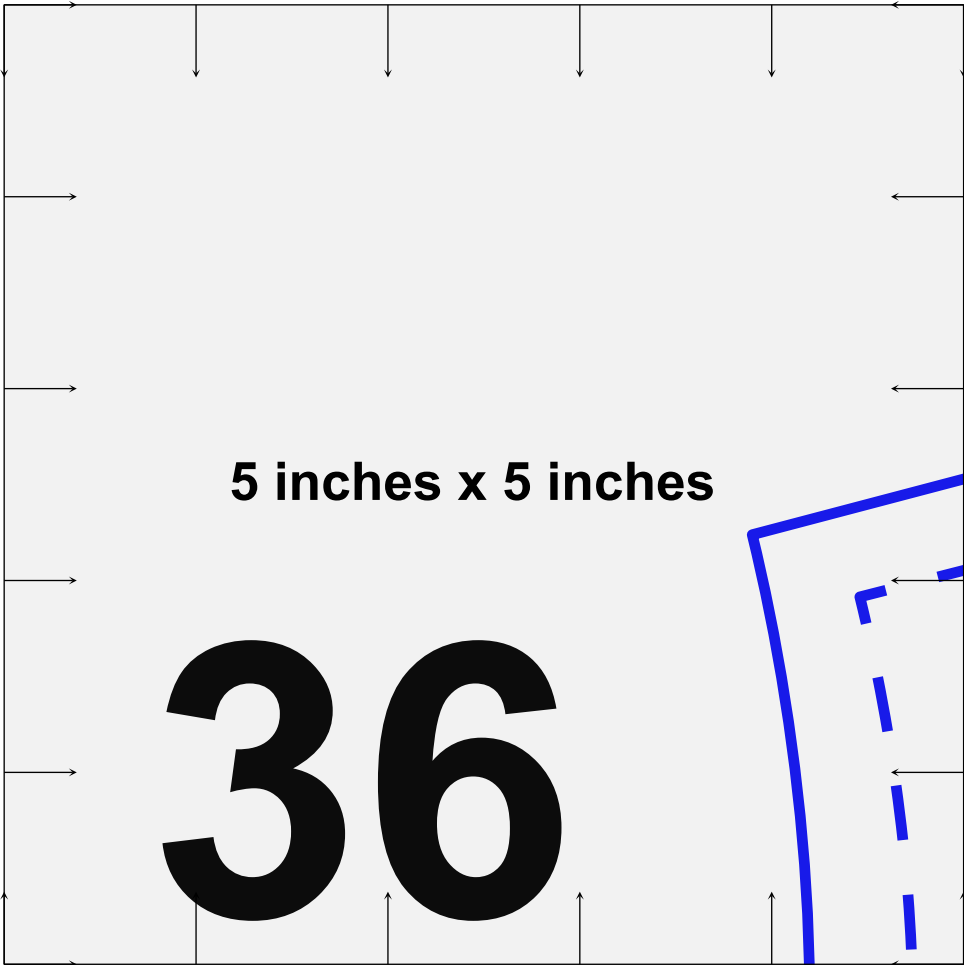


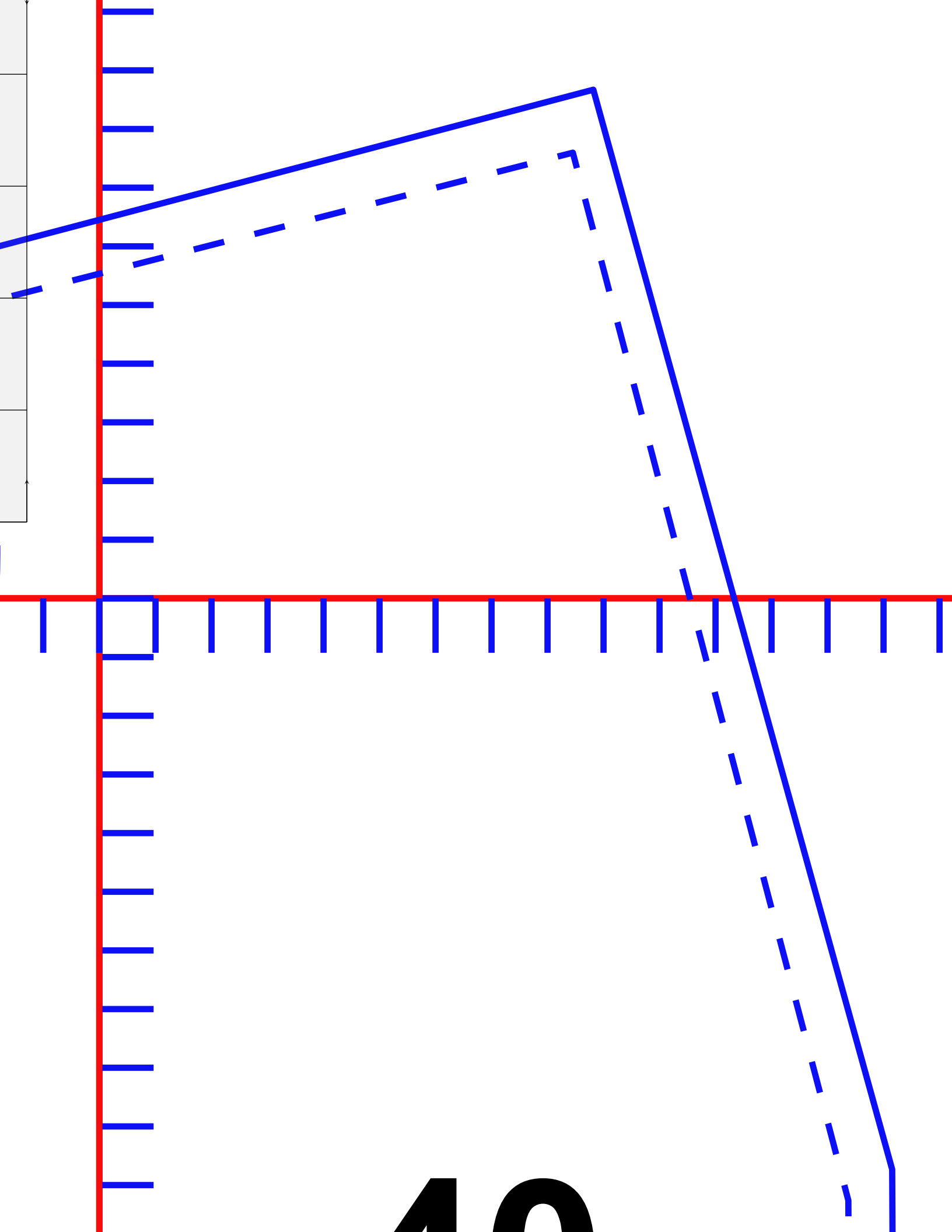
3



34

3

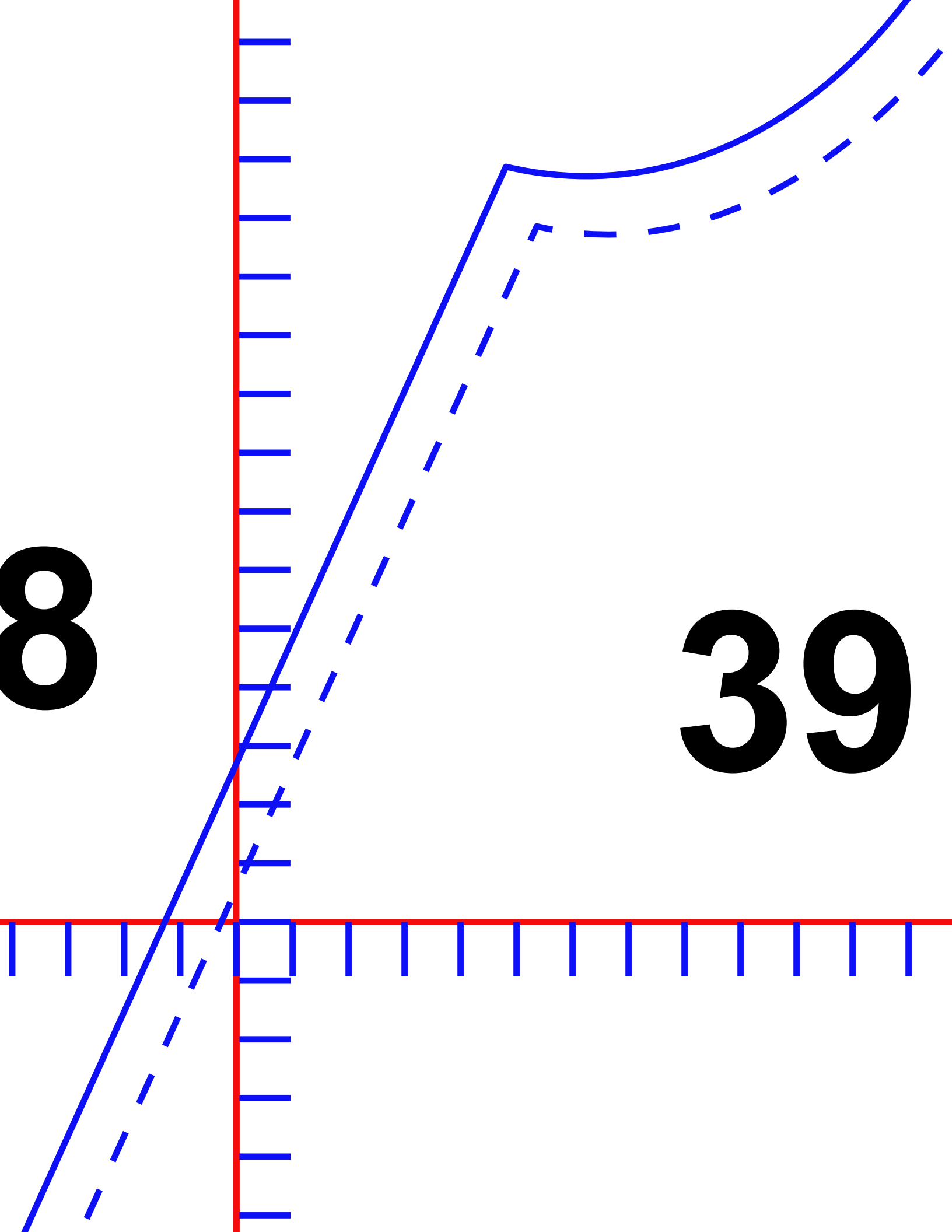


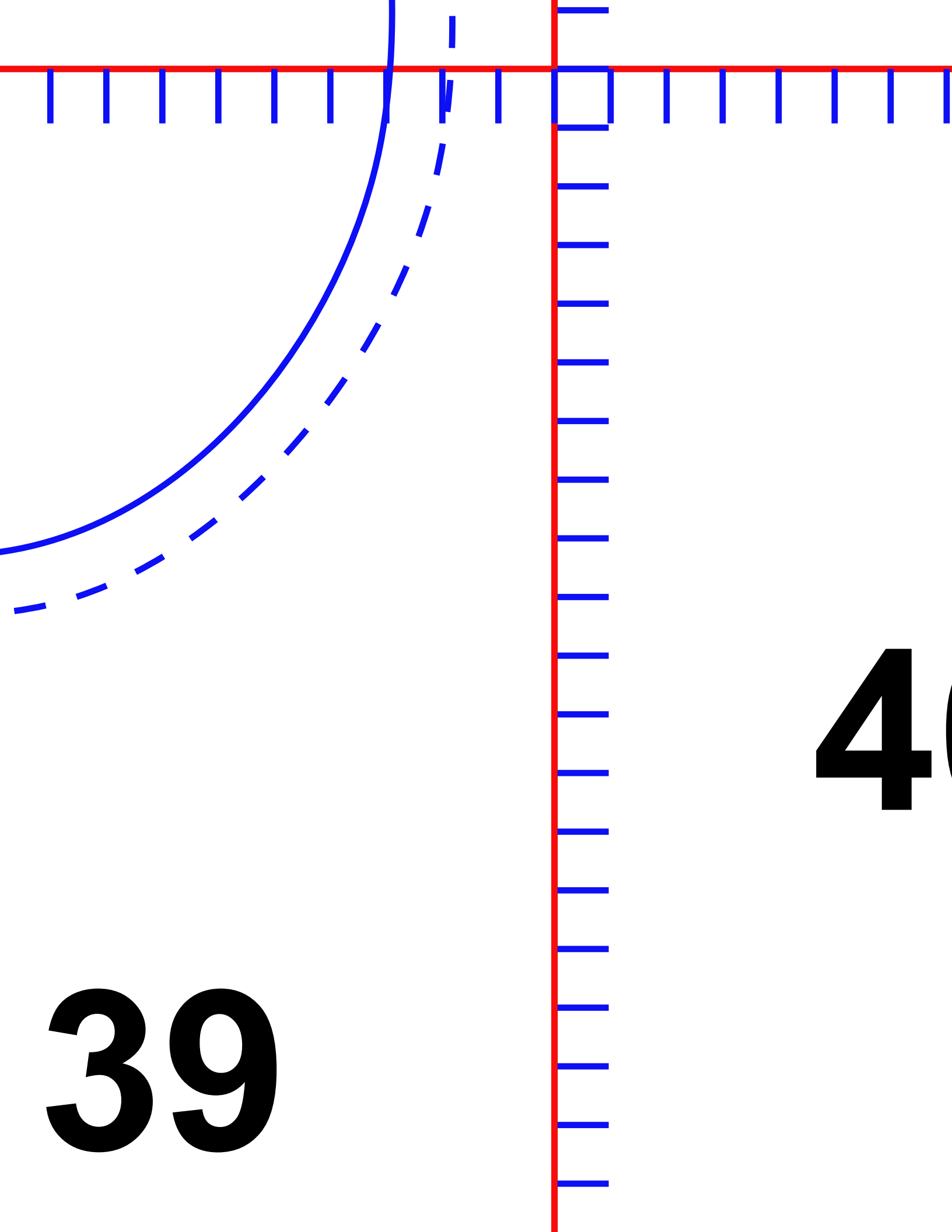


10

8

39

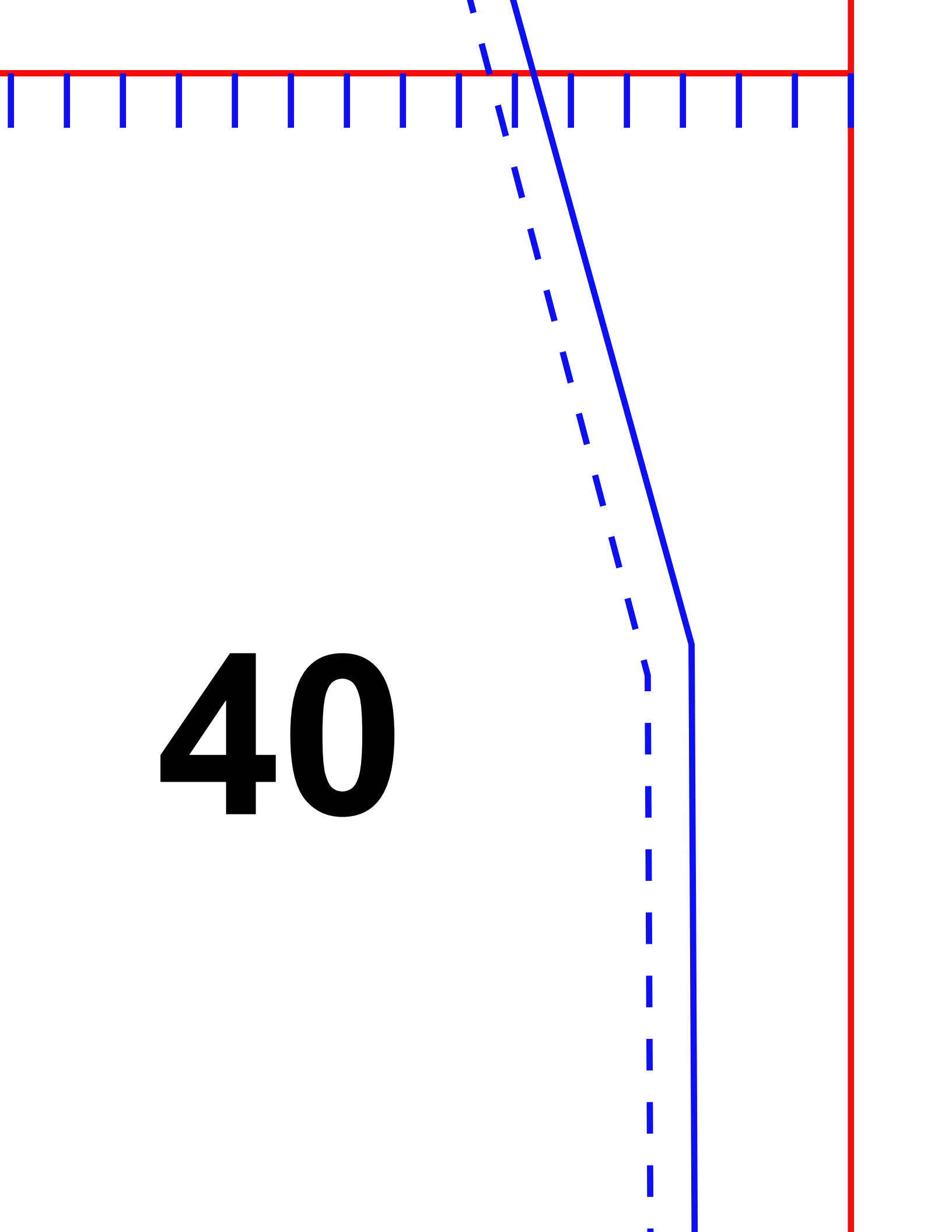




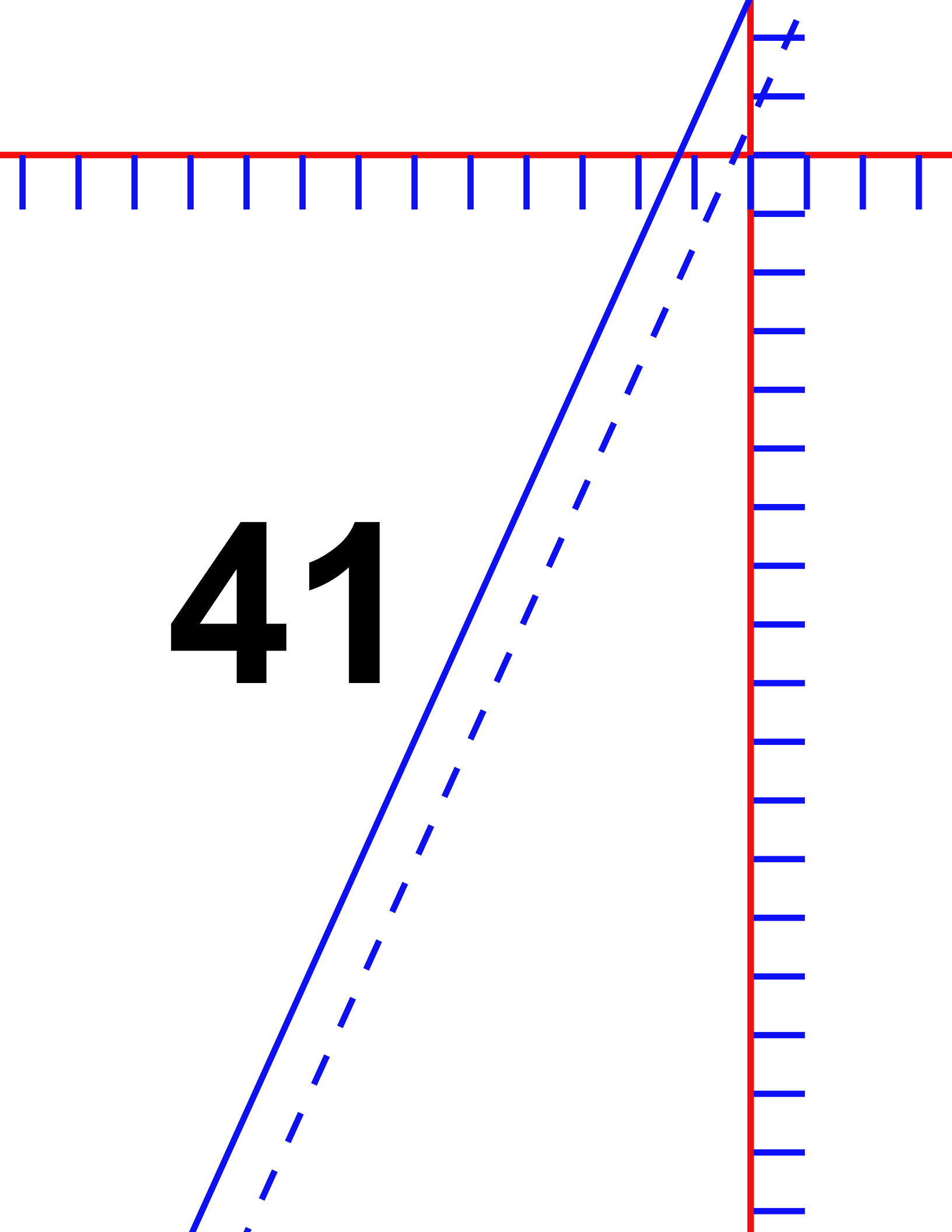
39

40

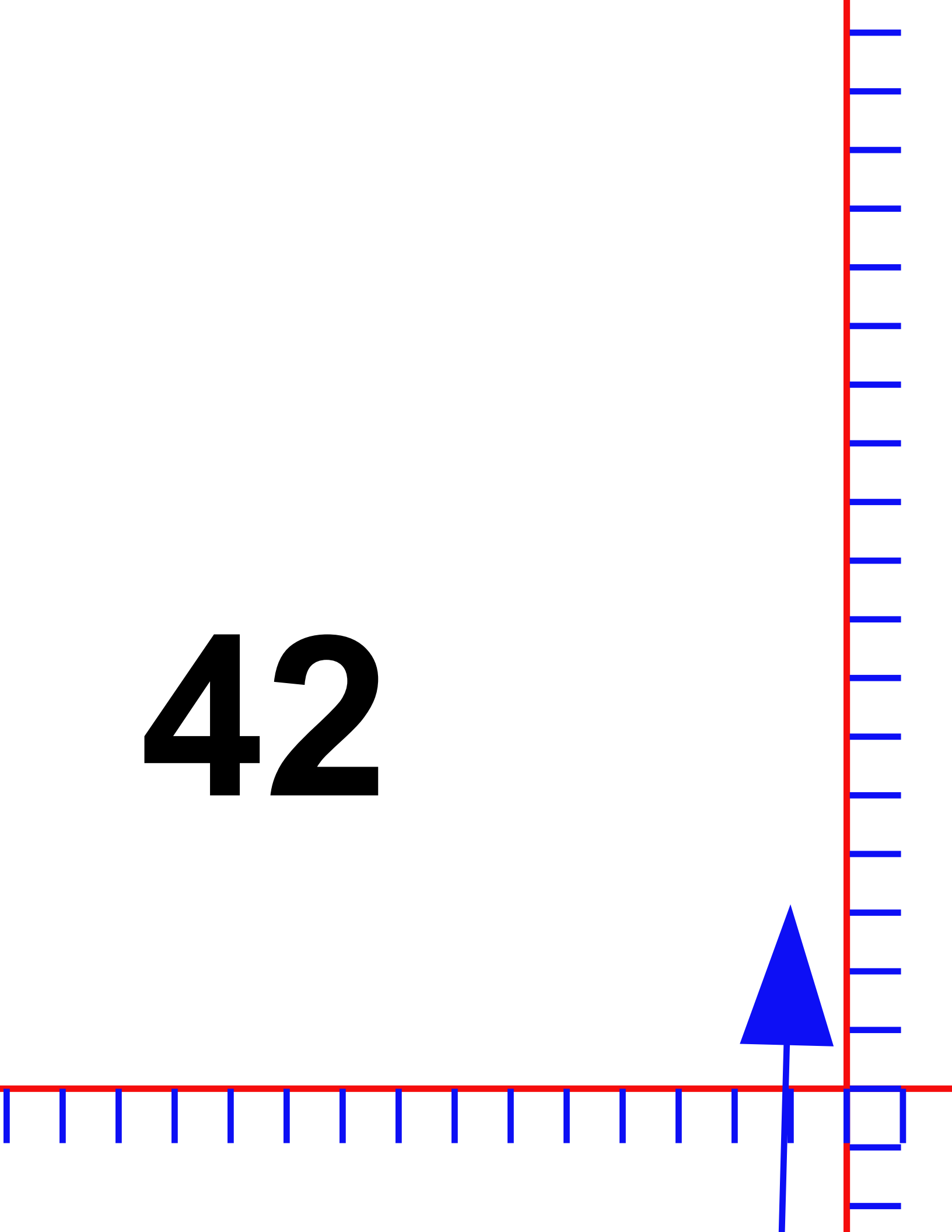
40



41

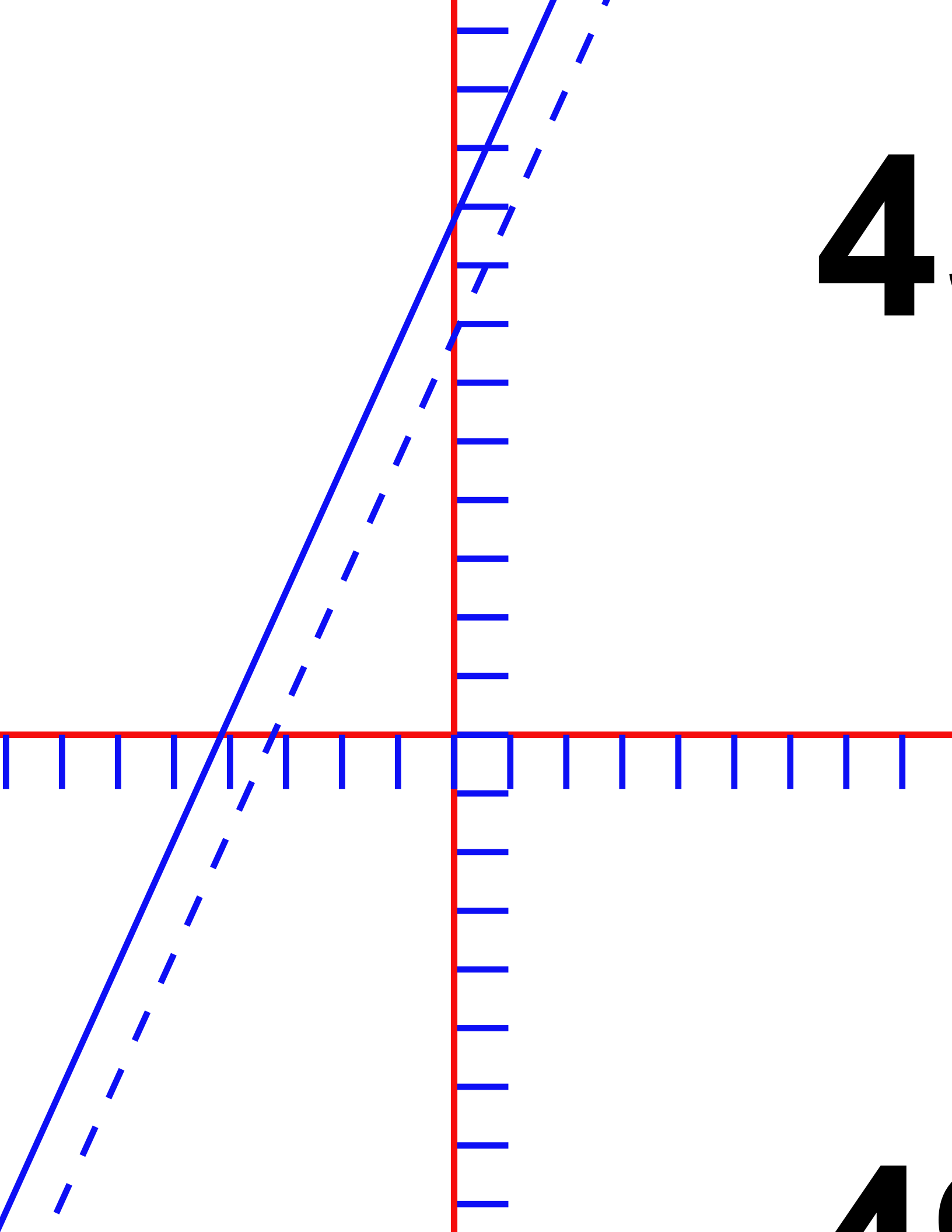


42



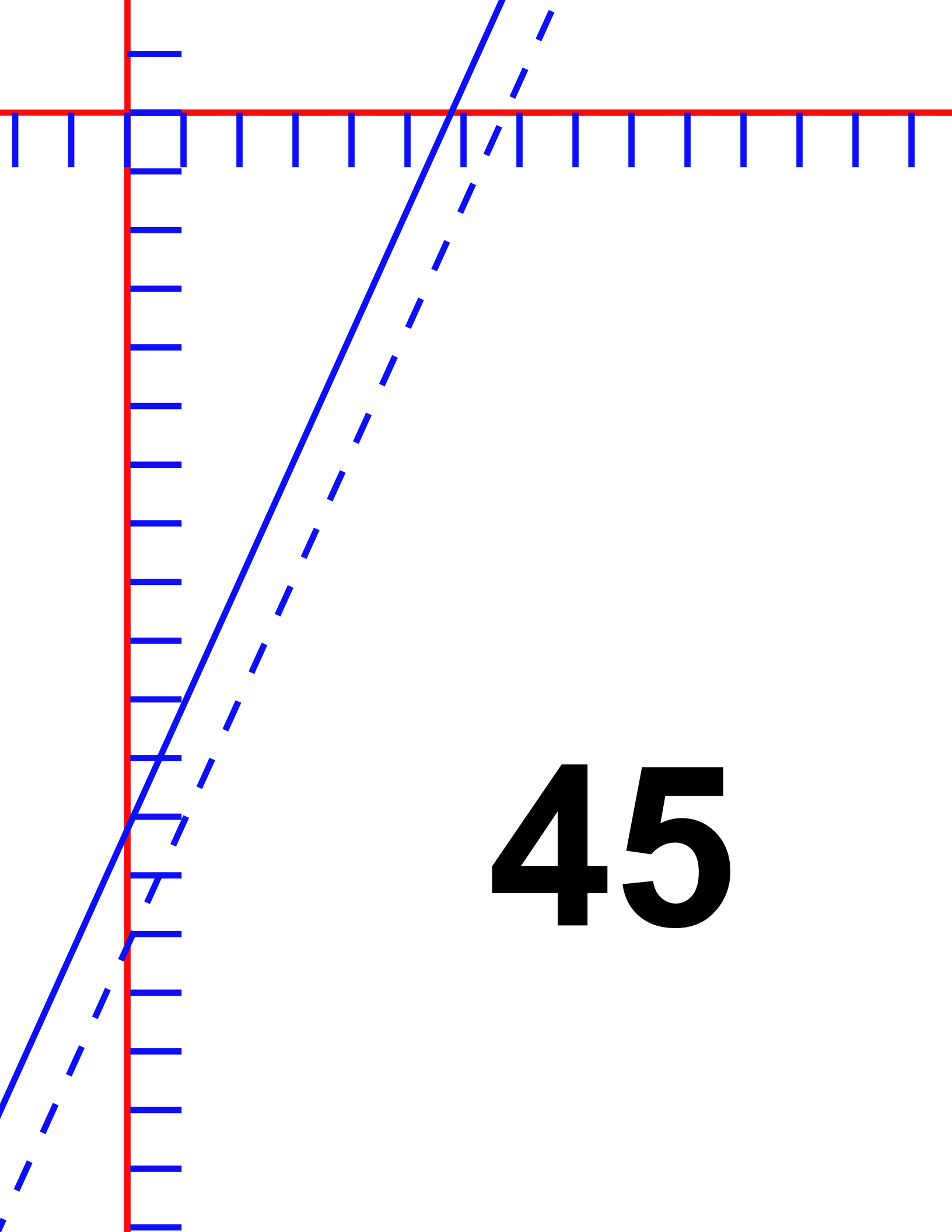


43

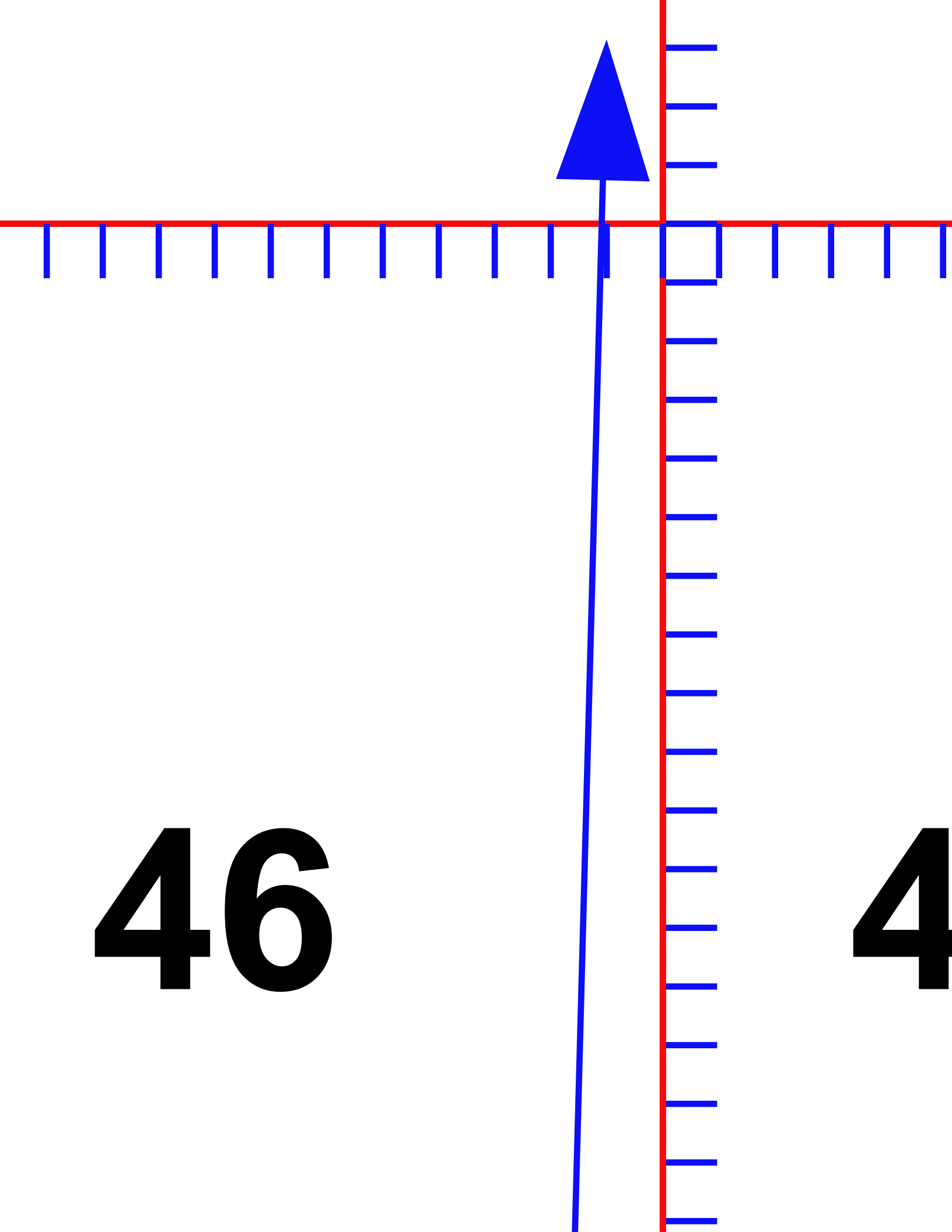


4

10



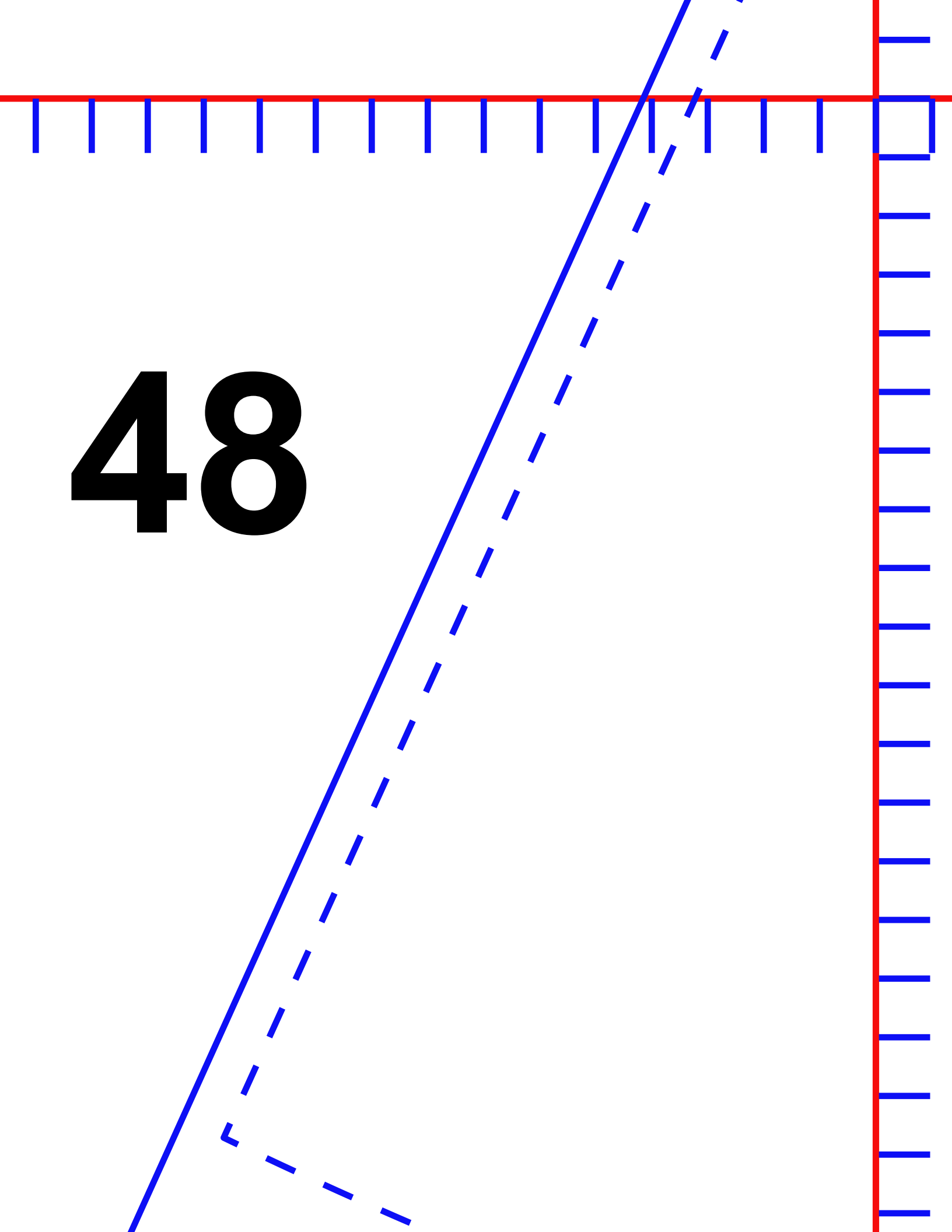
45





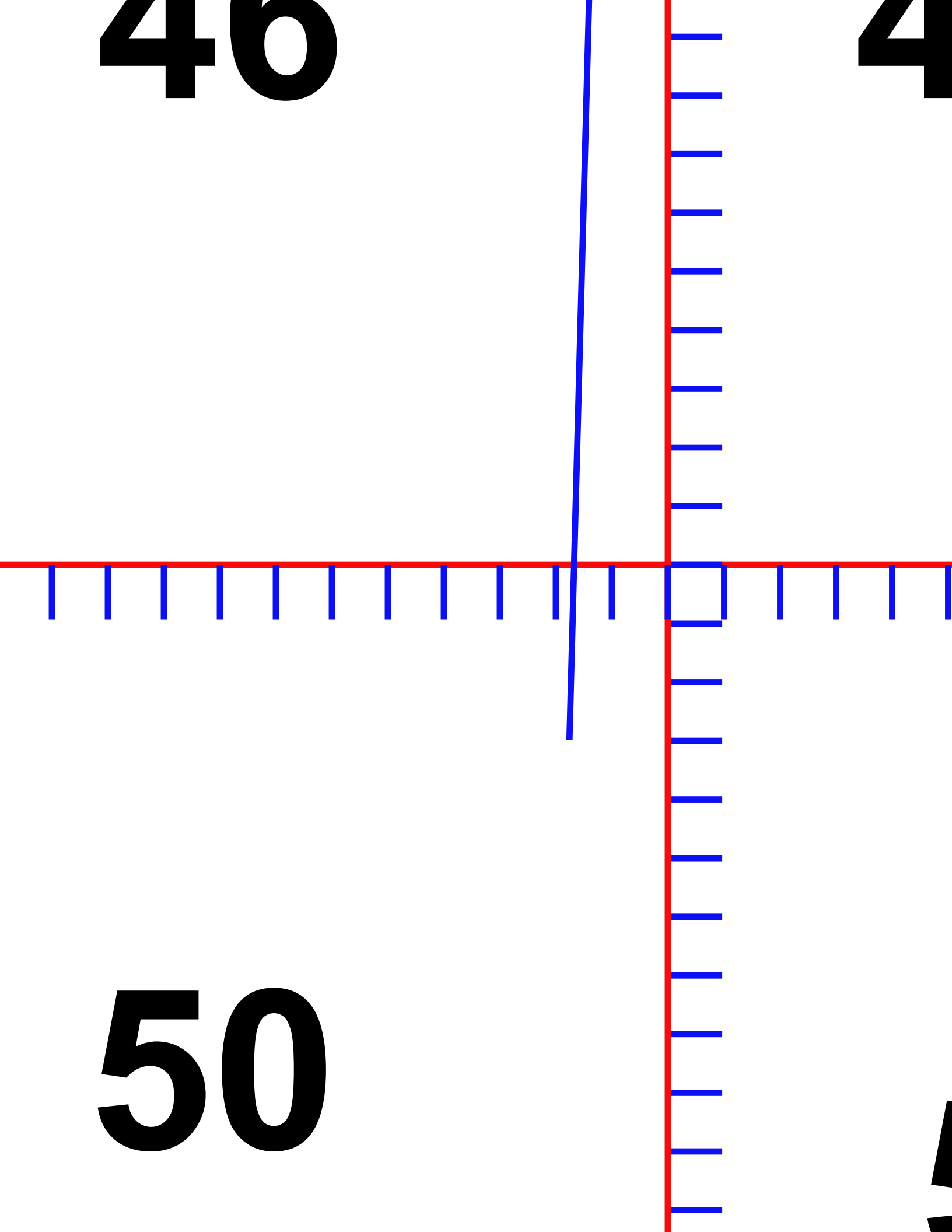
47

48



40

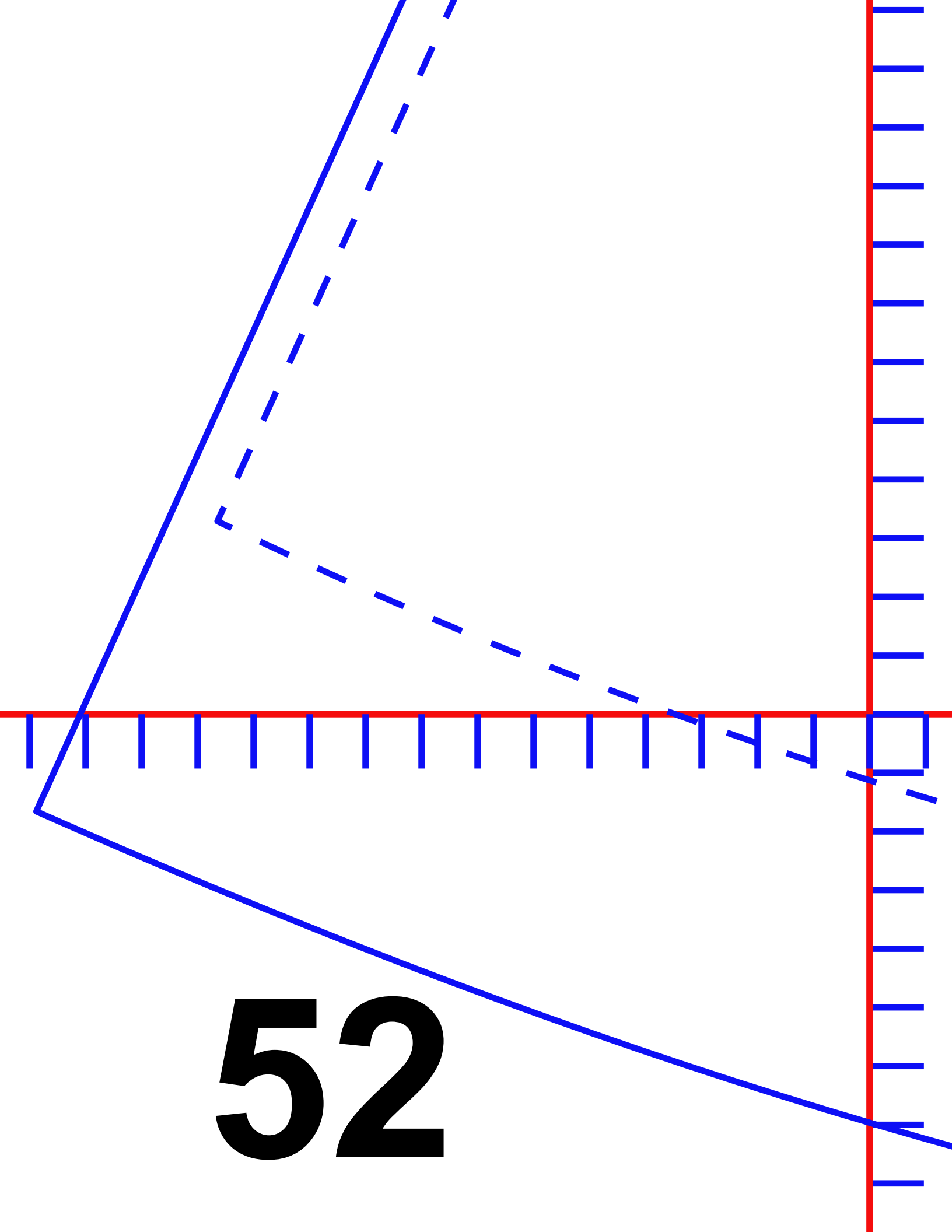
4



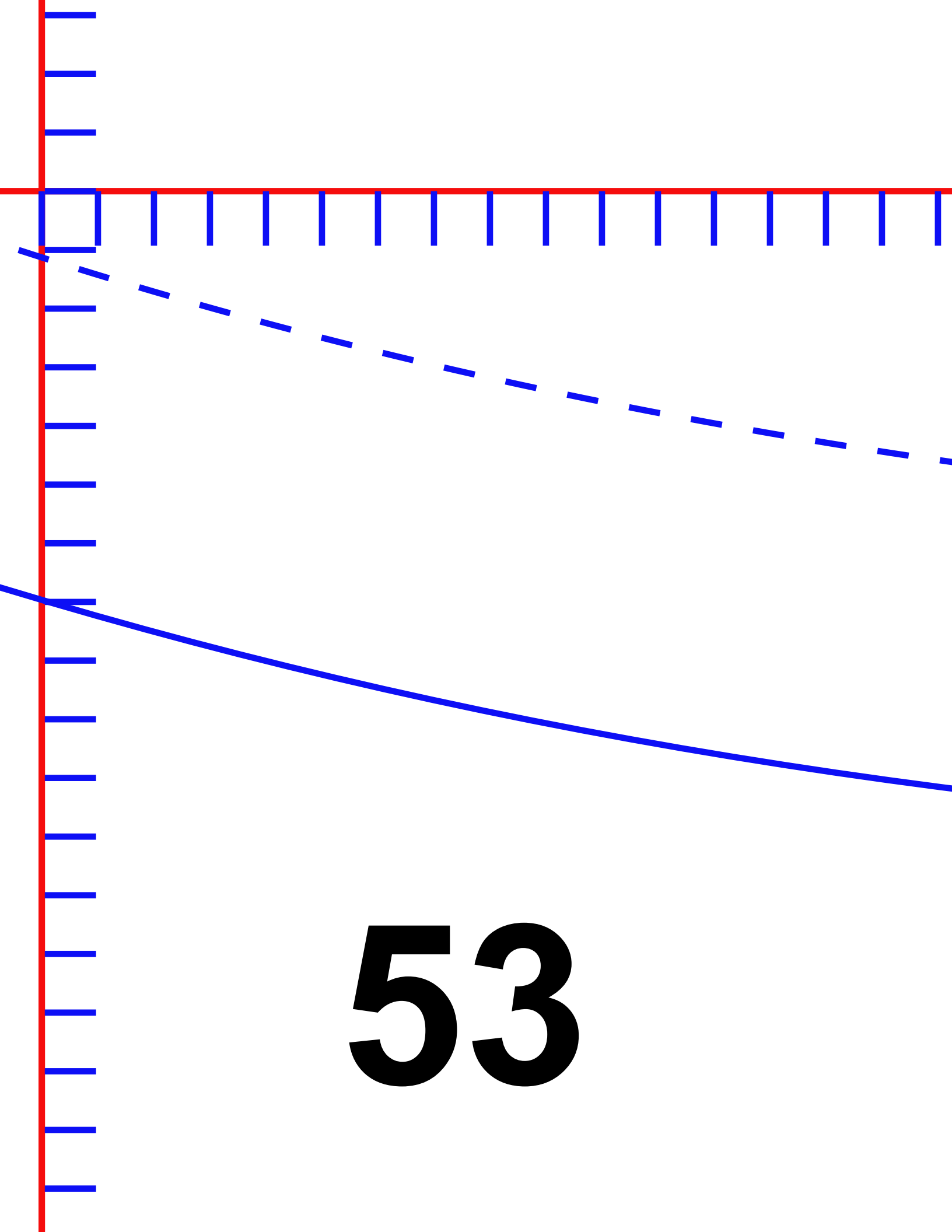
50

!

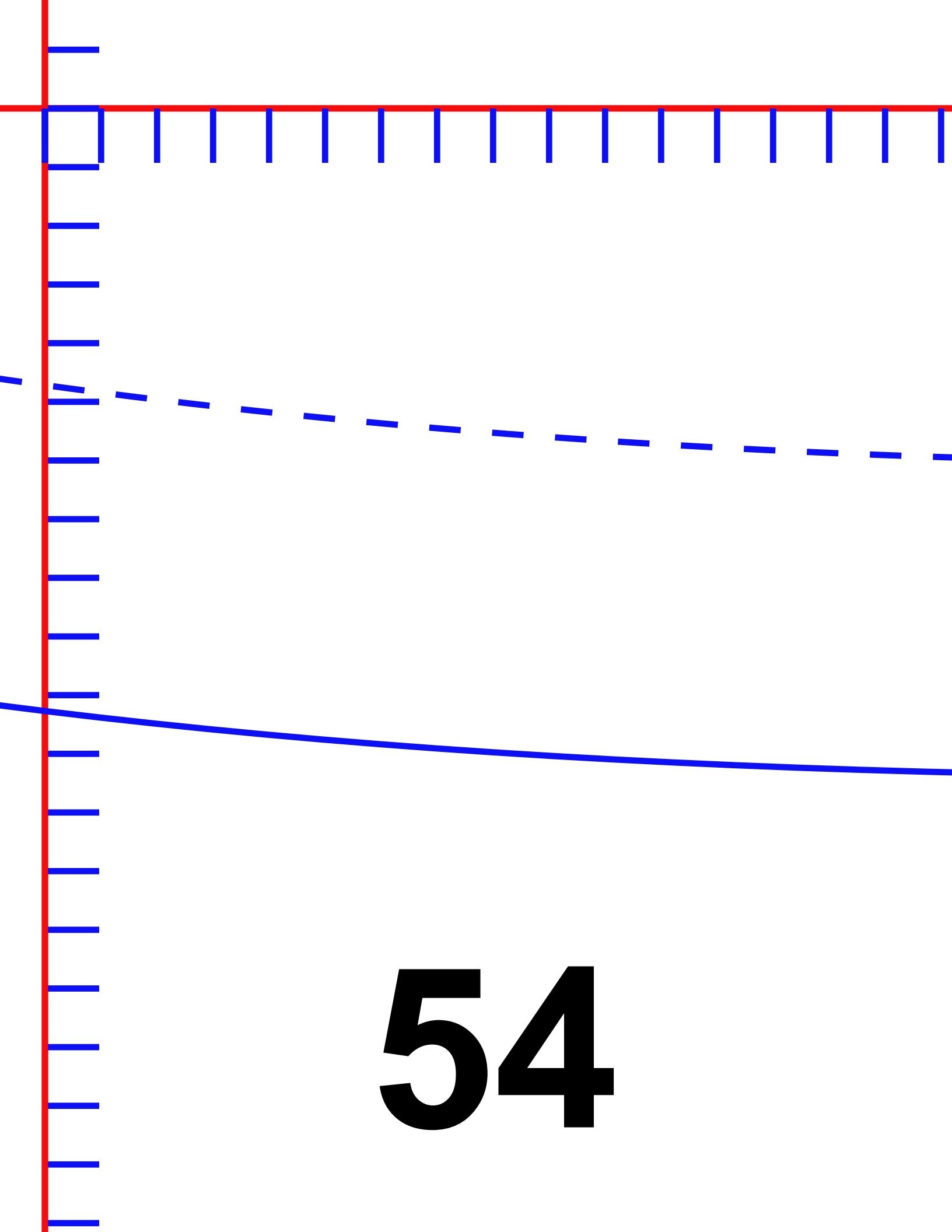
51



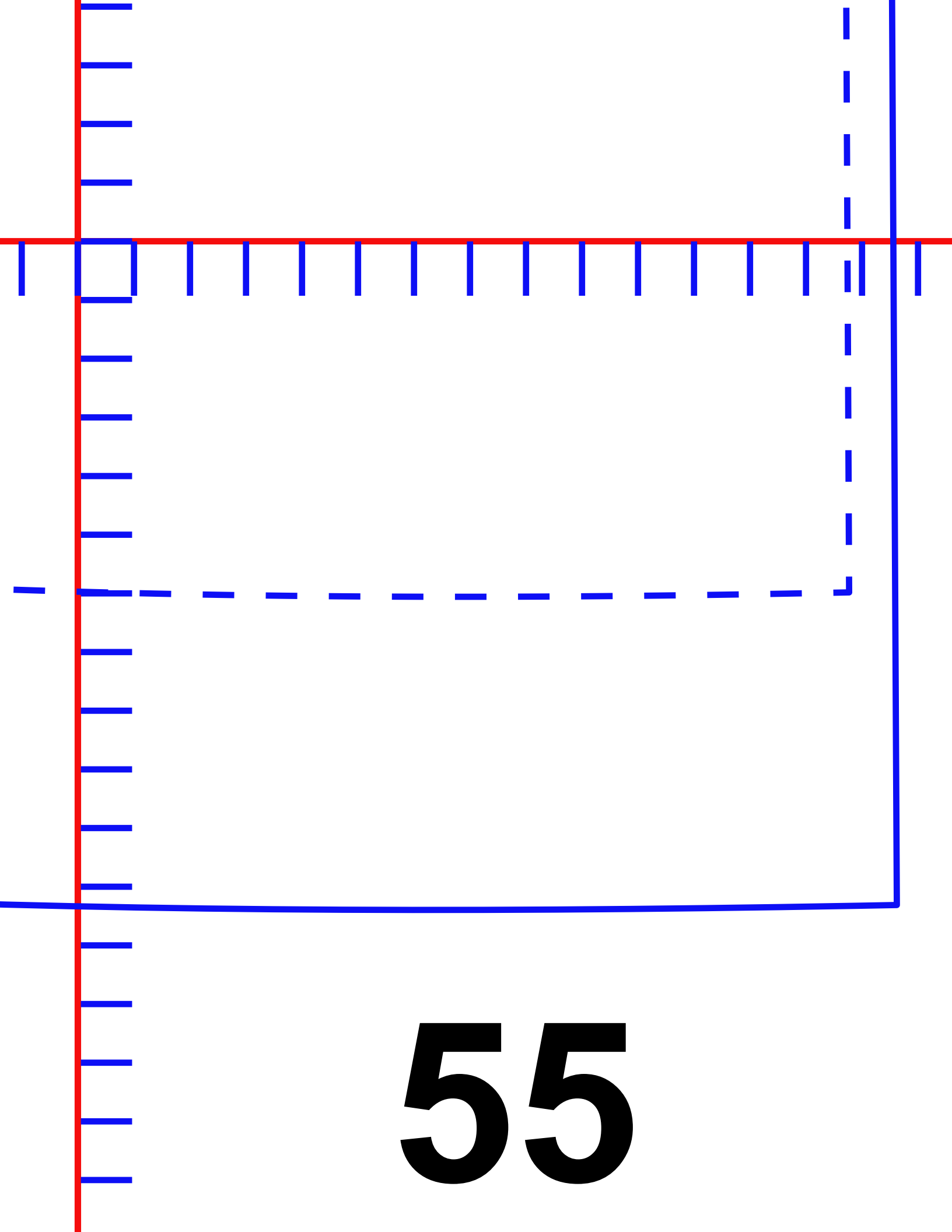
52



53

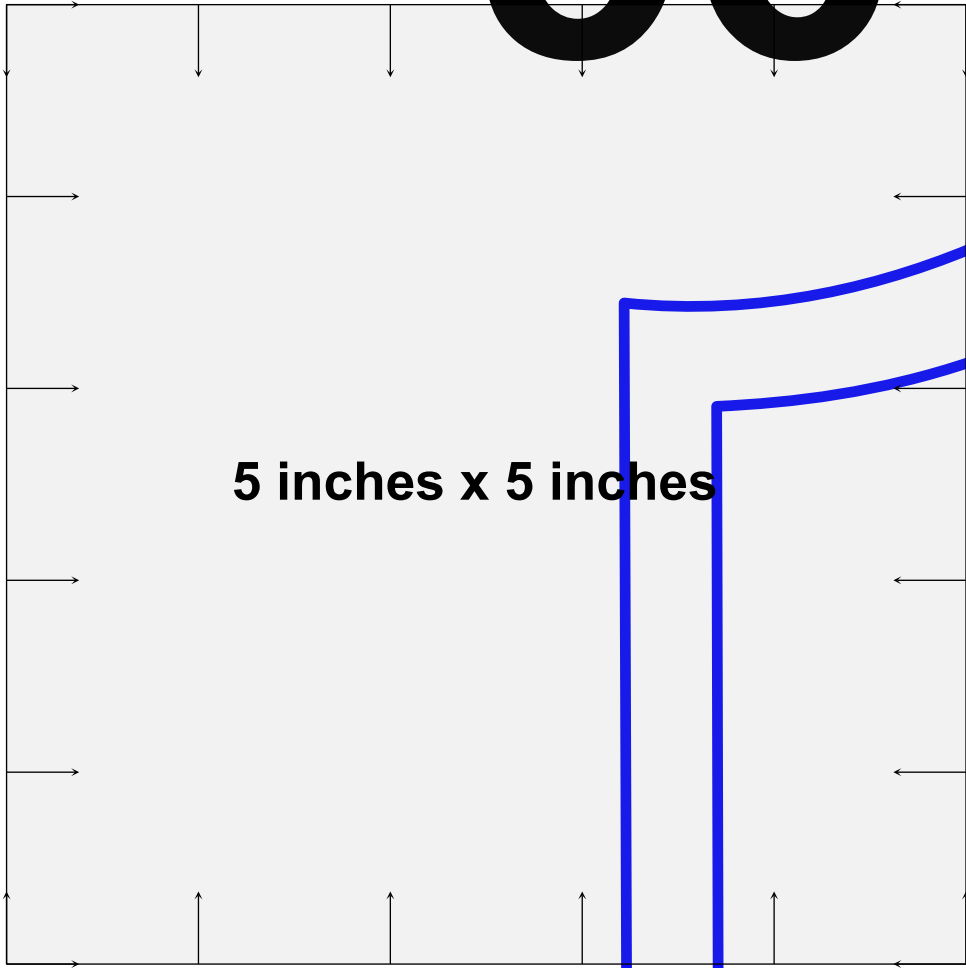


54

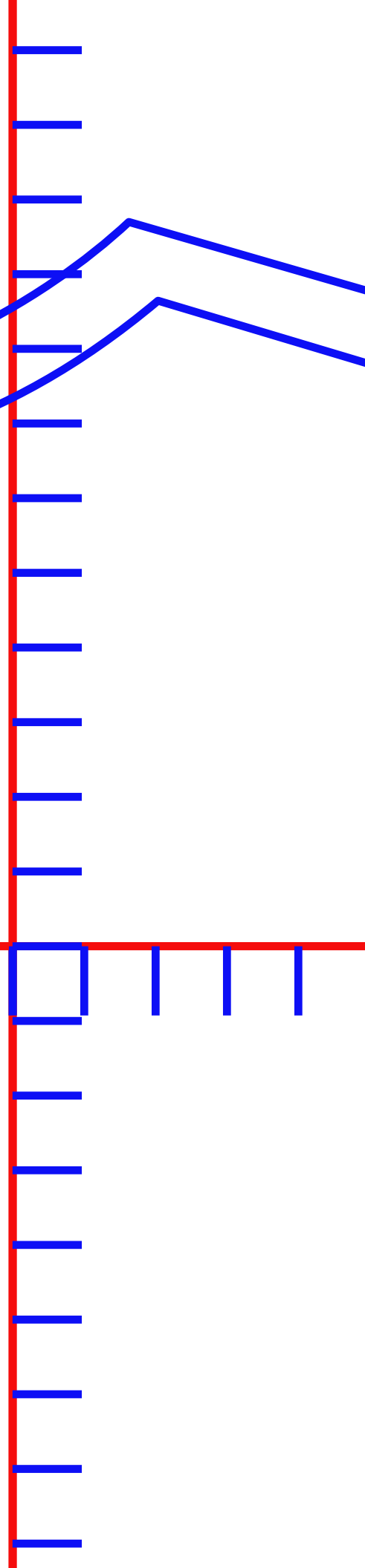


55

56

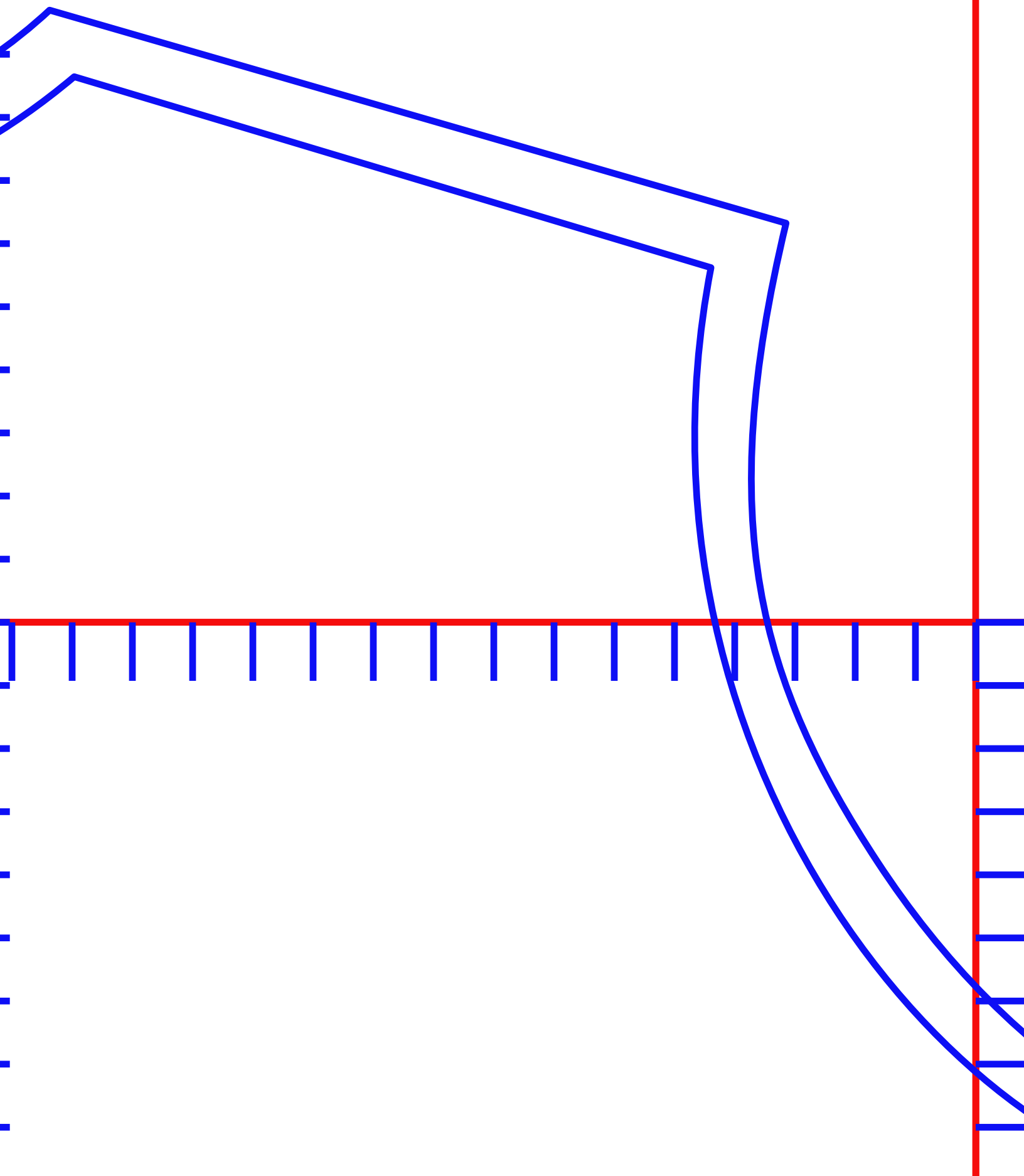


5 inches x 5 inches

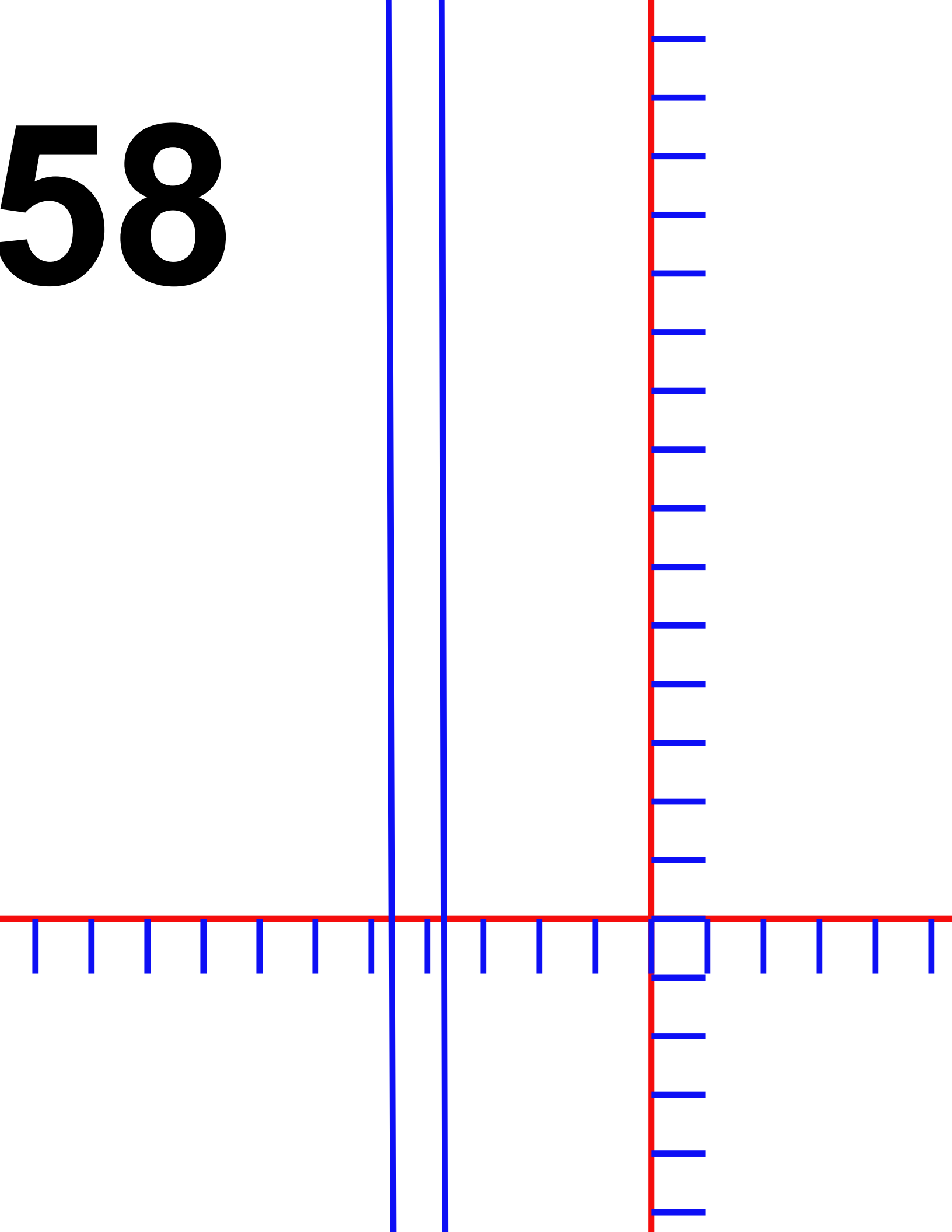


50

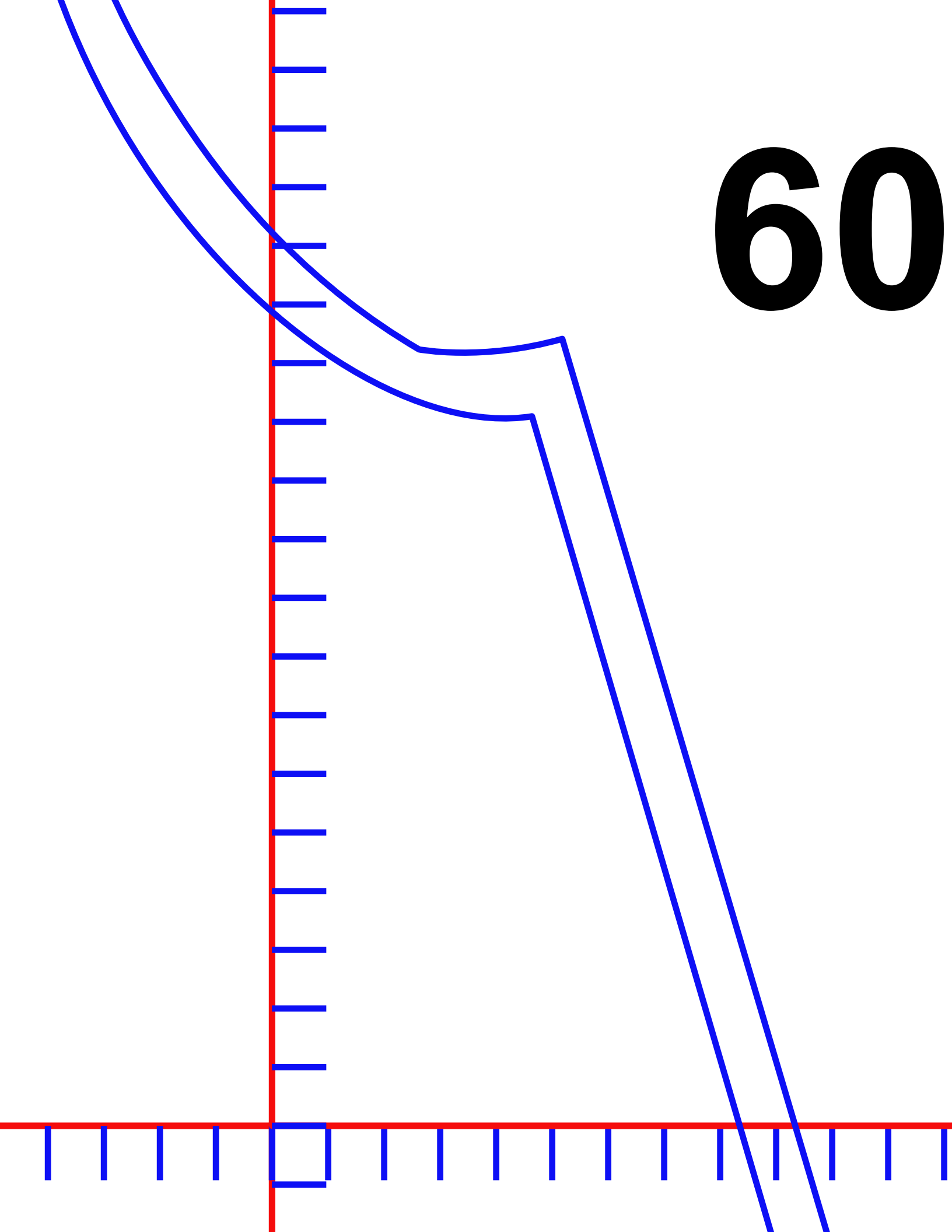
37



58

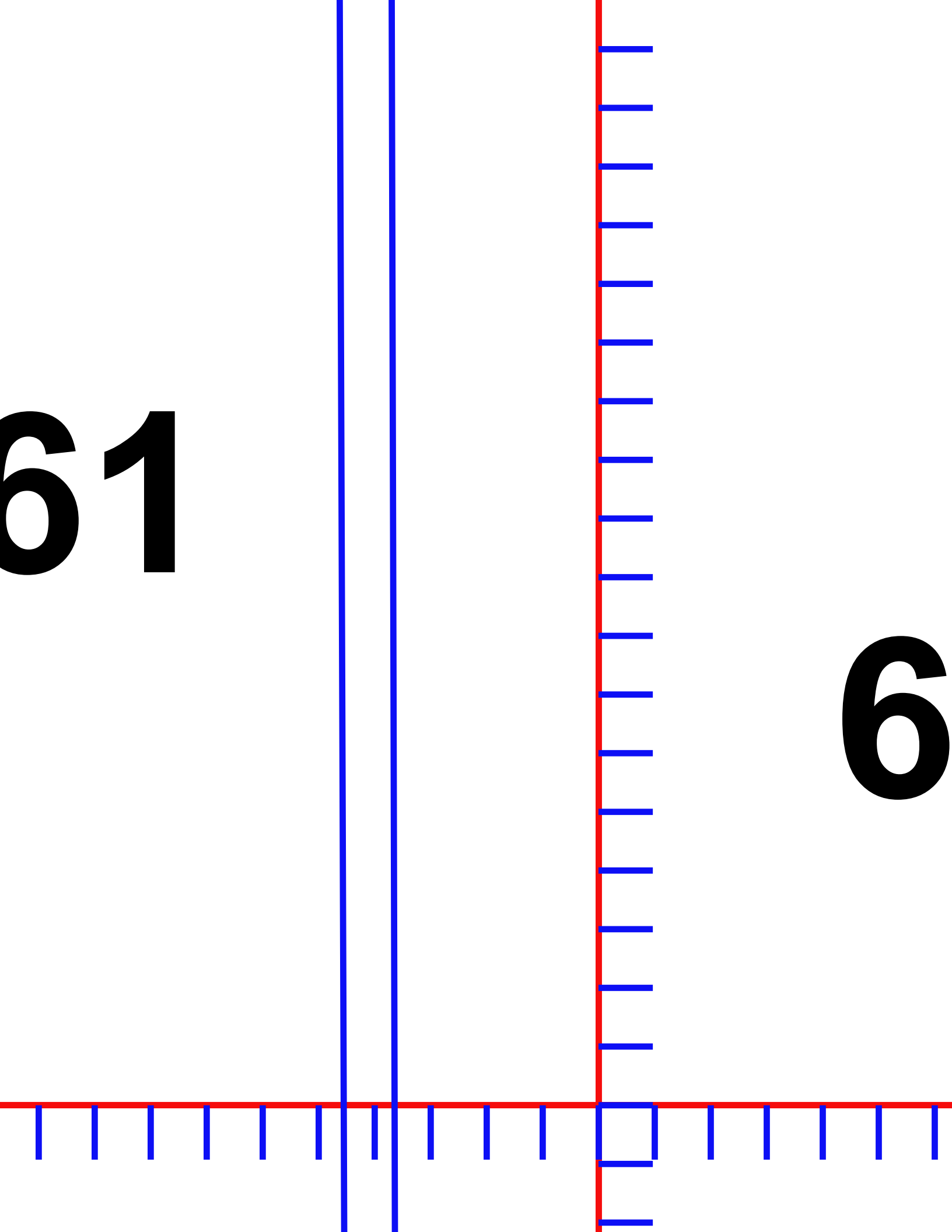


60

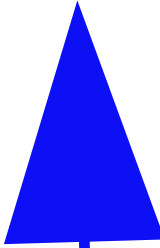


61

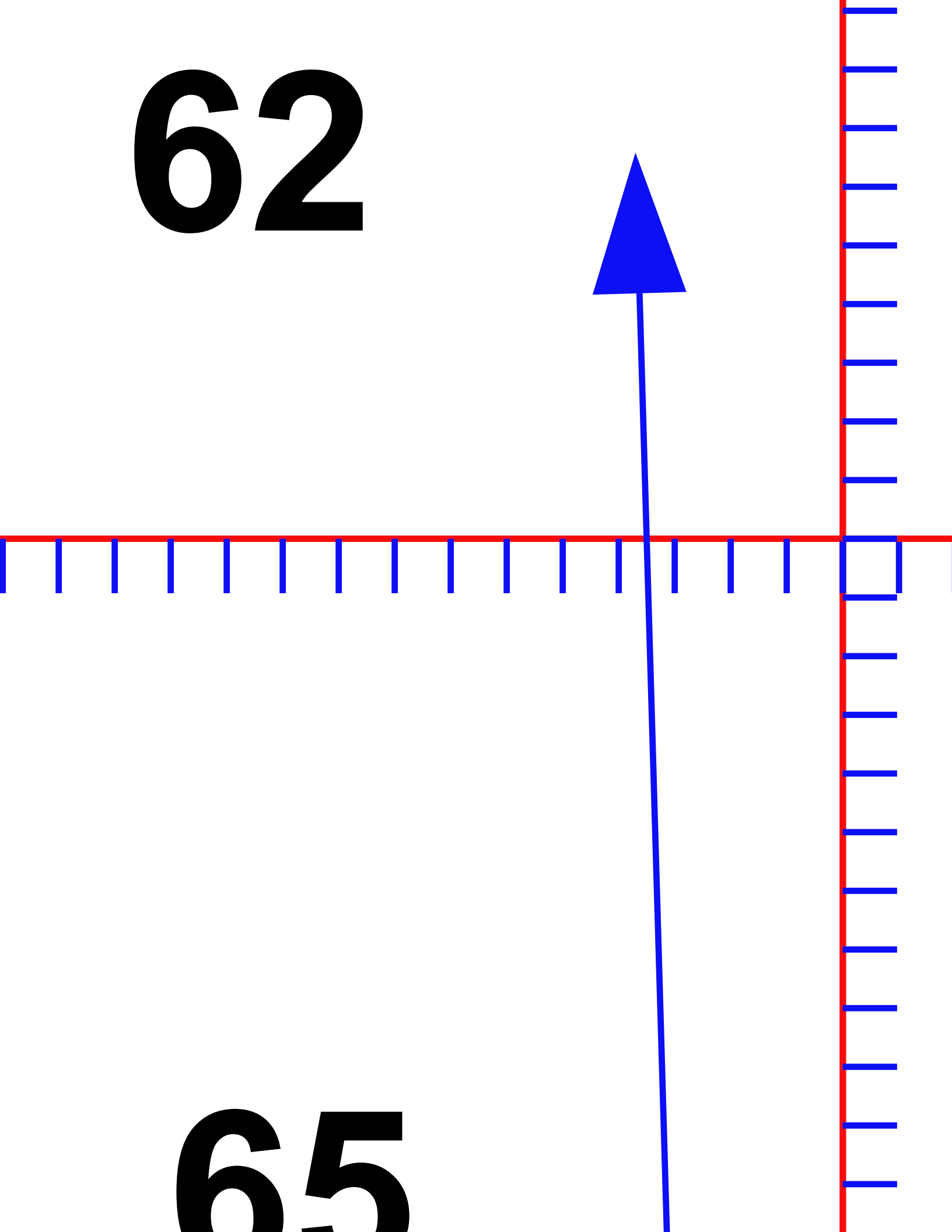
6

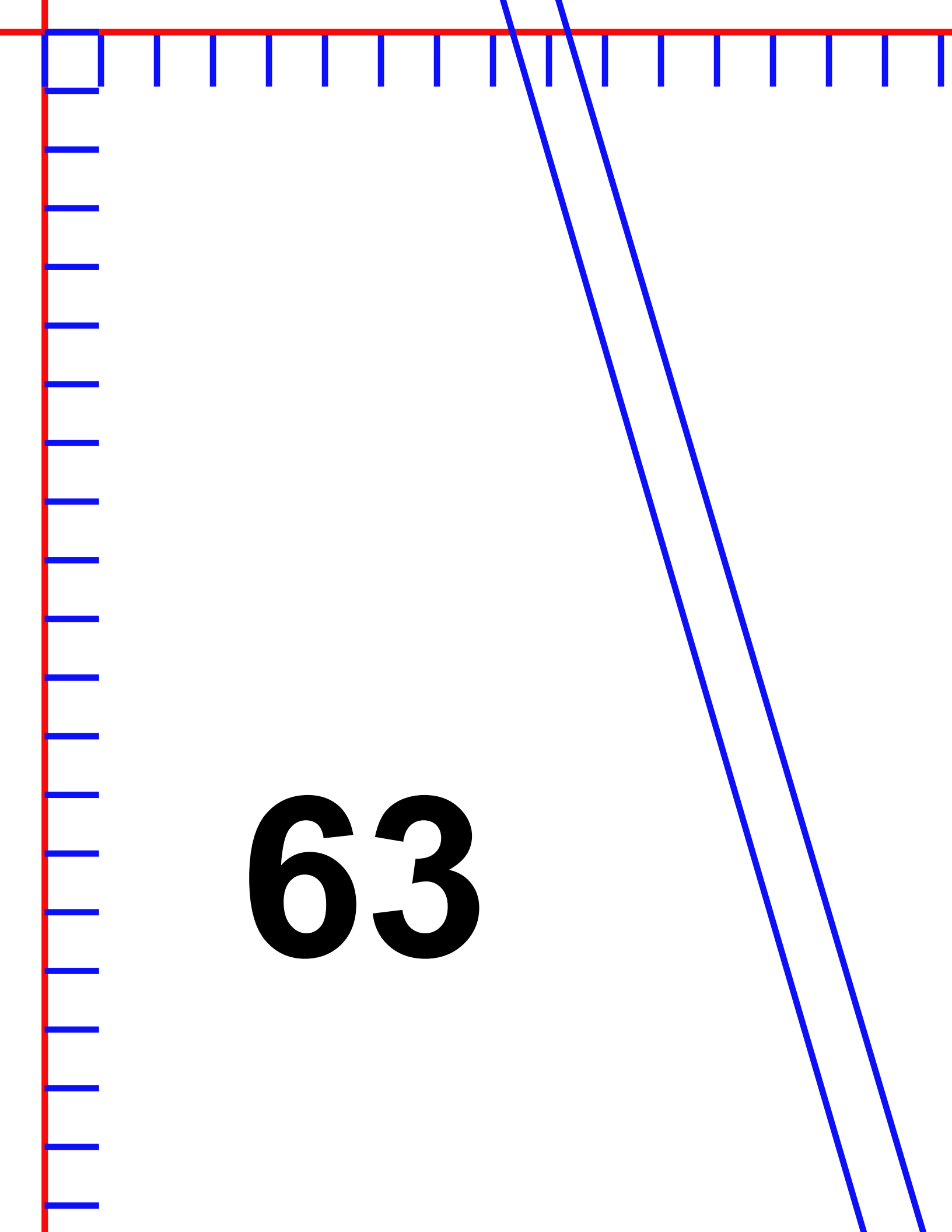


62



65



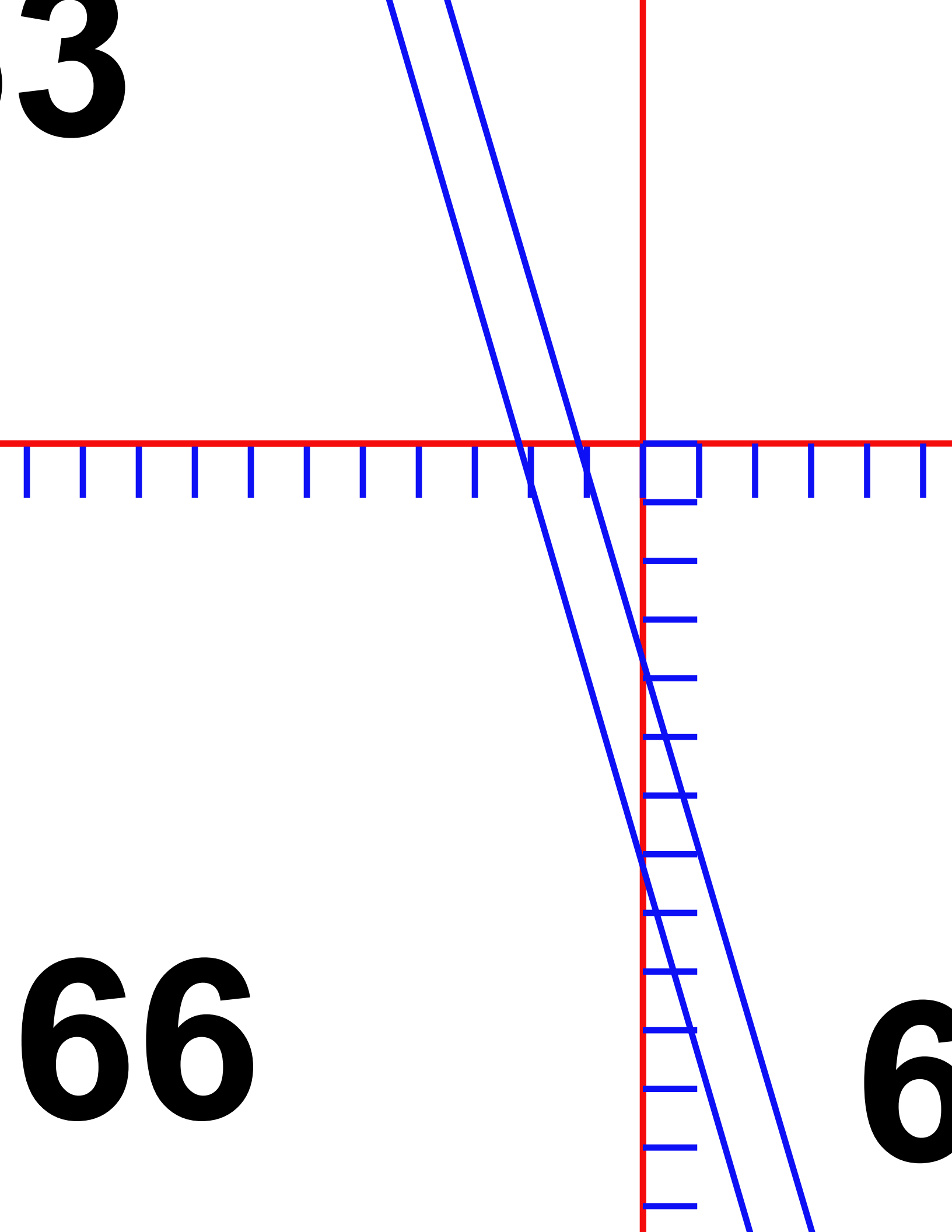


63

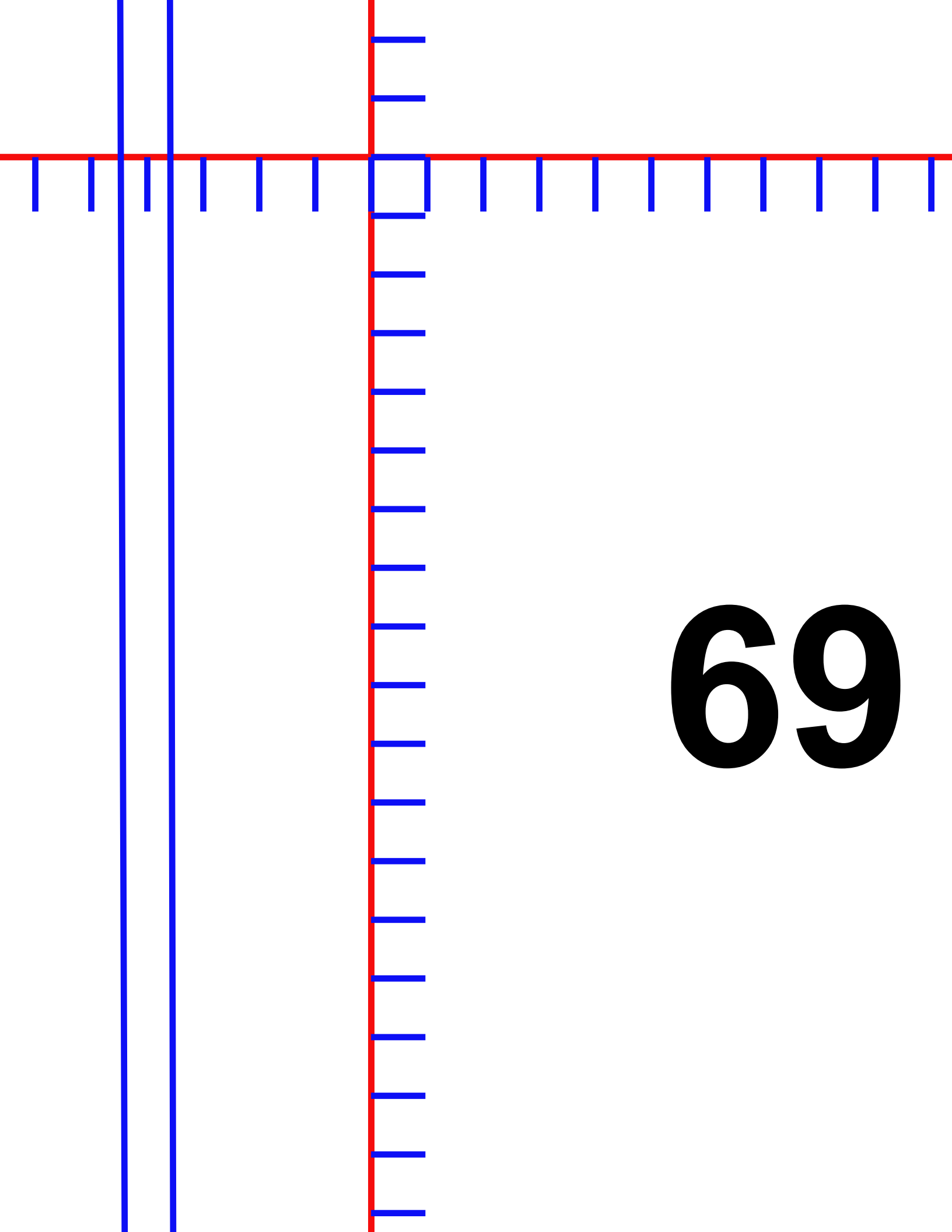
64

The image features a large, bold black number '65' centered on a white background. The number is set against a grid of blue lines. A thick red horizontal line runs across the top, and a thick red vertical line runs down the left side. The grid consists of vertical blue lines spaced evenly across the top and horizontal blue lines spaced evenly down the left side. The number '65' is positioned in the center of the grid.

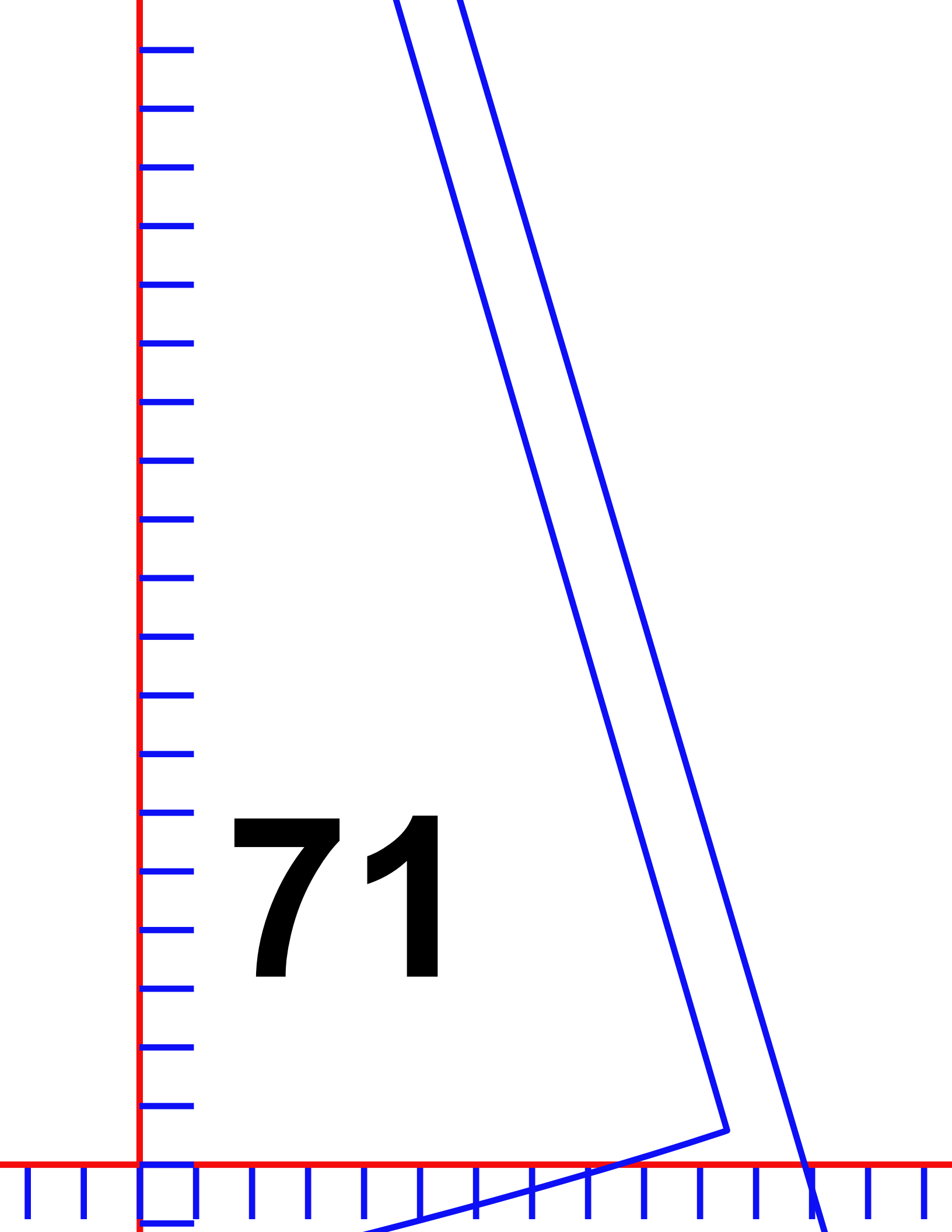
65



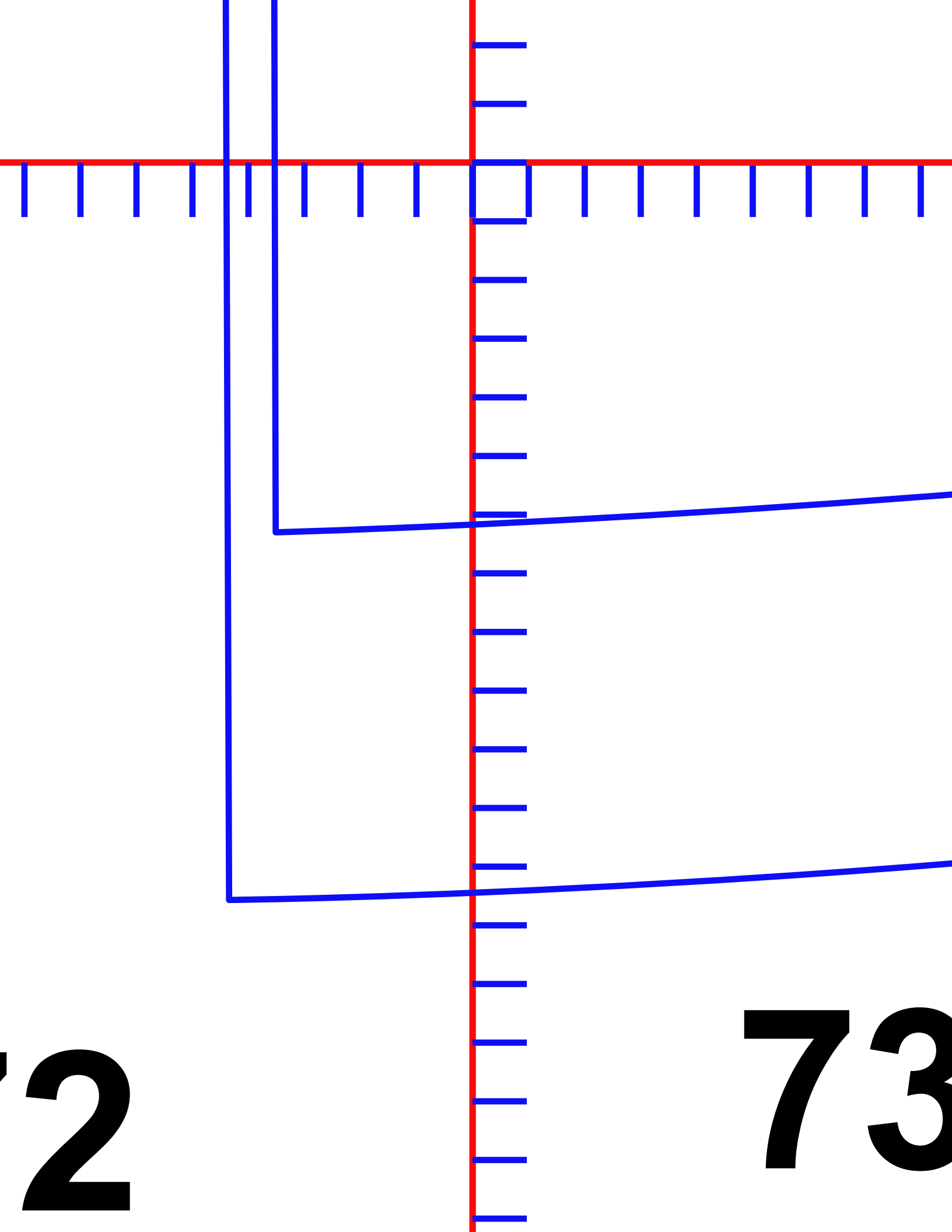
67



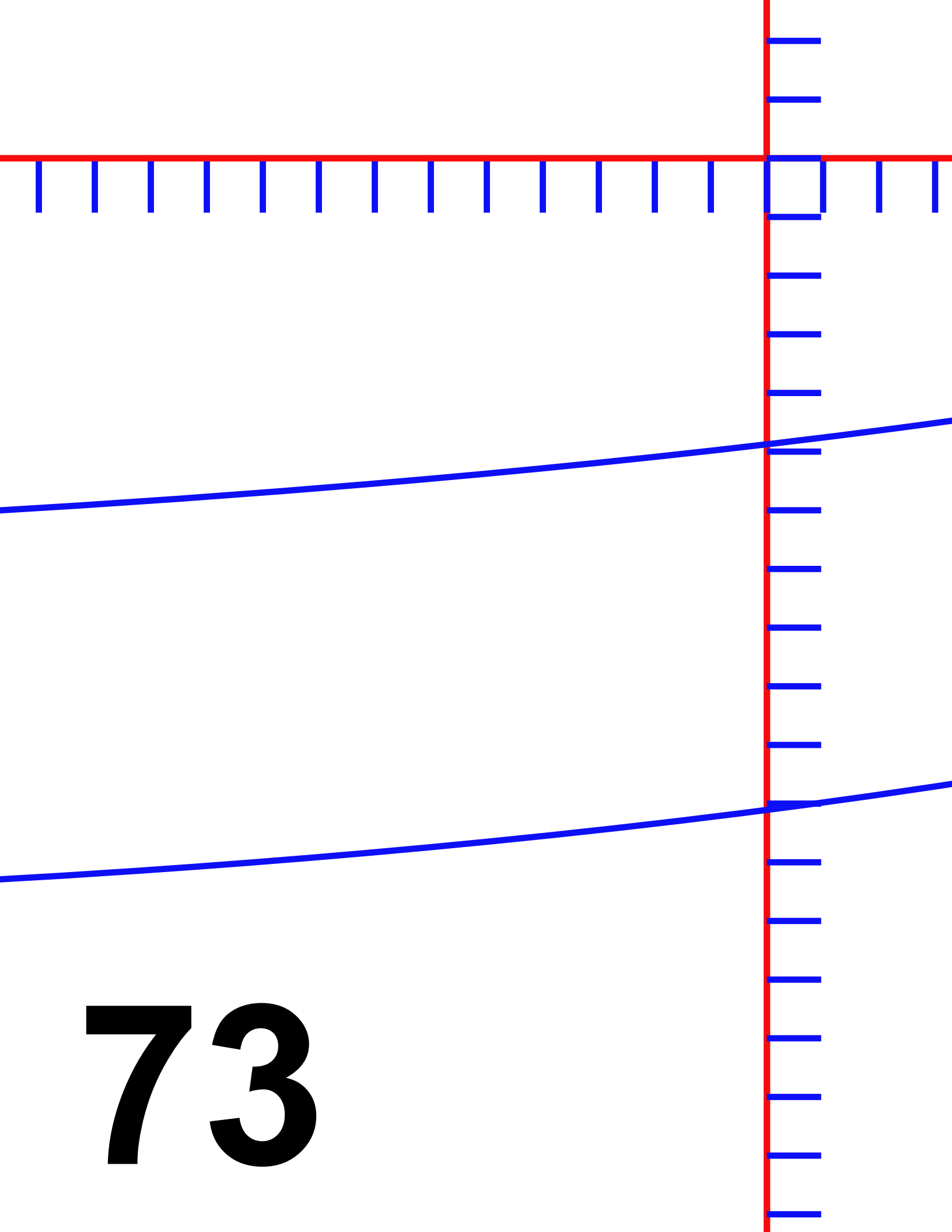
69

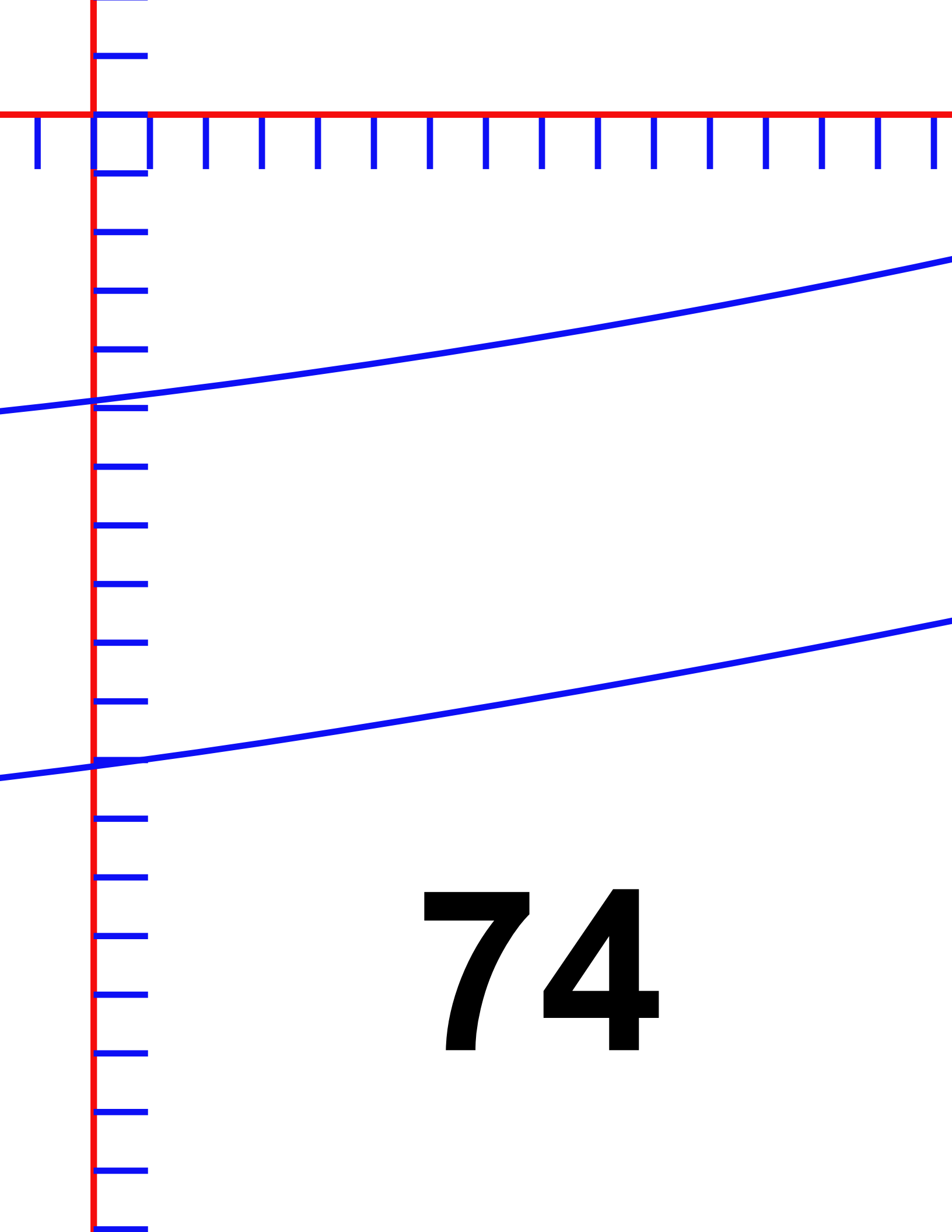


71



73





74

71

75